

Electronic housing - ME 45 UTM G GN - 2853417

Please be informed that the data shown in this PDF Document is generated from our Online Catalog. Please find the complete data in the user's documentation. Our General Terms of Use for Downloads are valid (<http://download.phoenixcontact.com>)



Intermediate element for modular extension of the volume of the housing in the pitch. The closed intermediate element is 22.5 mm wide.

Illustration shows a fully mounted version of the electronic housing



Key commercial data

Packing unit	1 1
Minimum order quantity	10 1
Weight per Piece (excluding packing)	20.75 GRM
Custom tariff number	85369010
Country of origin	Germany

Technical data

Product type	Component housing center part
Width	22.5 mm
Color	green

Classifications

eCl@ss

eCl@ss 4.0	27180401
eCl@ss 4.1	27180401
eCl@ss 5.0	27180506
eCl@ss 5.1	27180506
eCl@ss 6.0	27180802
eCl@ss 7.0	27182702
eCl@ss 8.0	27182702

Electronic housing - ME 45 UTM G GN - 2853417

Classifications

ETIM

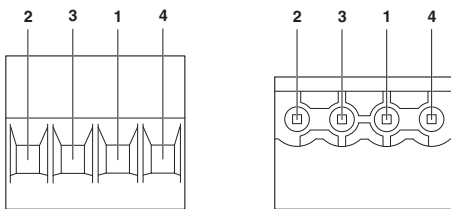
ETIM 2.0	EC001031
ETIM 3.0	EC001031
ETIM 4.0	EC001031
ETIM 5.0	EC000886

UNSPSC

UNSPSC 6.01	31261501
UNSPSC 7.0901	31261501
UNSPSC 11	31261501
UNSPSC 12.01	31261501
UNSPSC 13.2	31261501

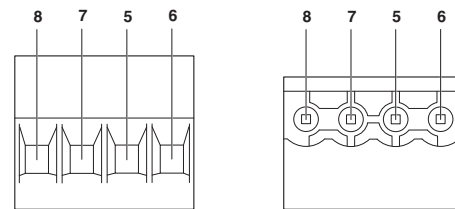
Drawings

Schematic diagram



Pin assignment left

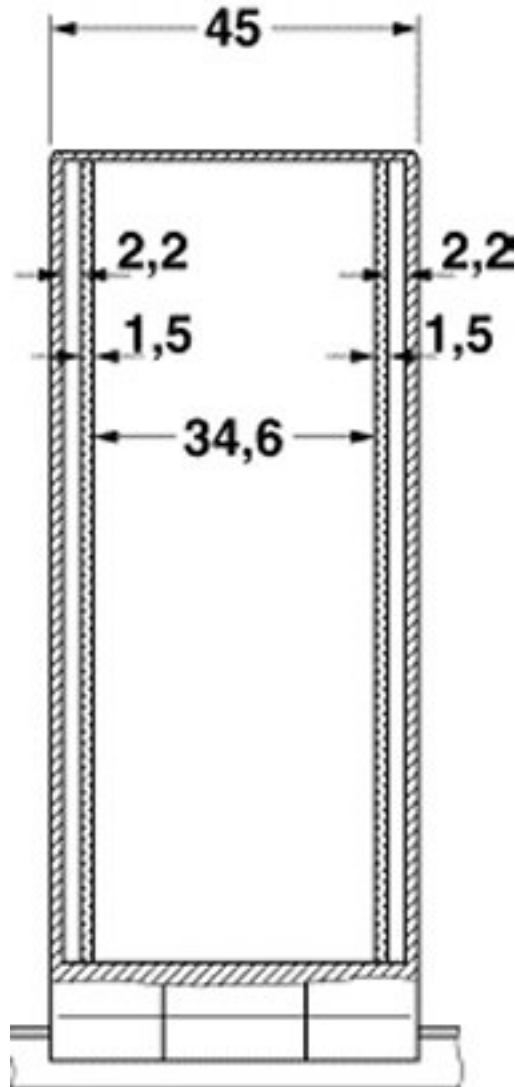
Schematic diagram



Pin assignment right

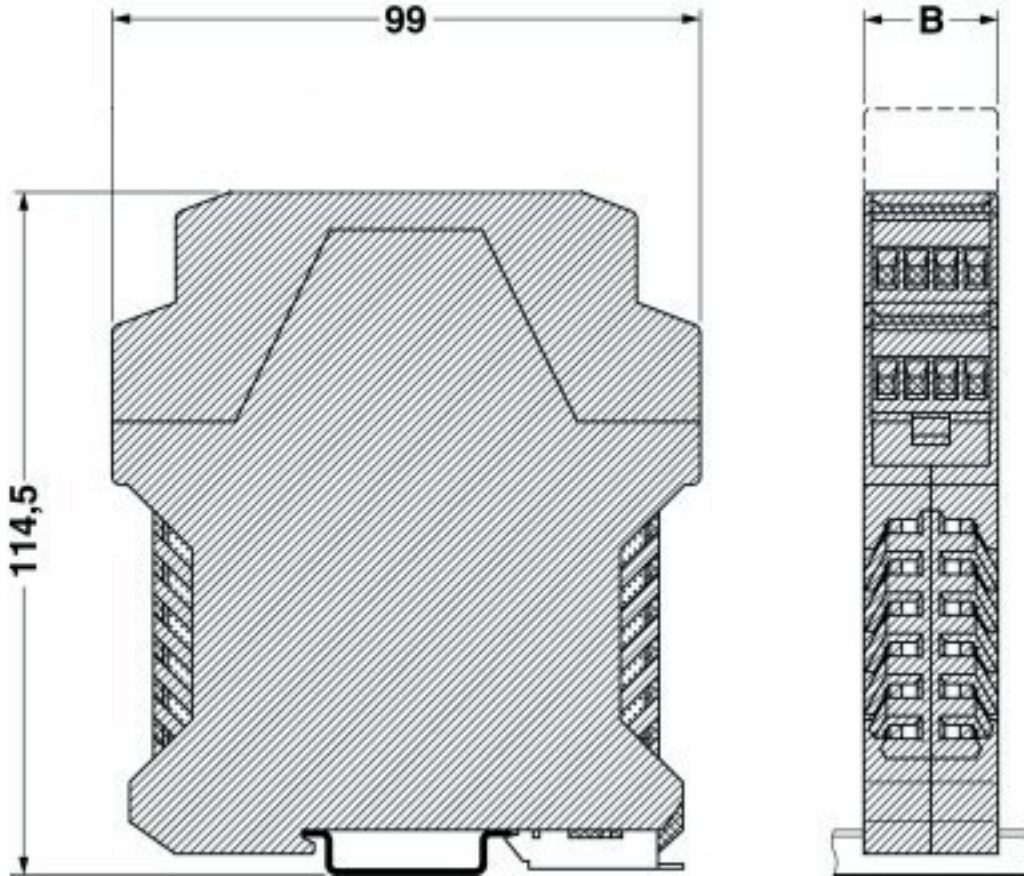
Electronic housing - ME 45 UTM G GN - 2853417

Dimensioned drawing



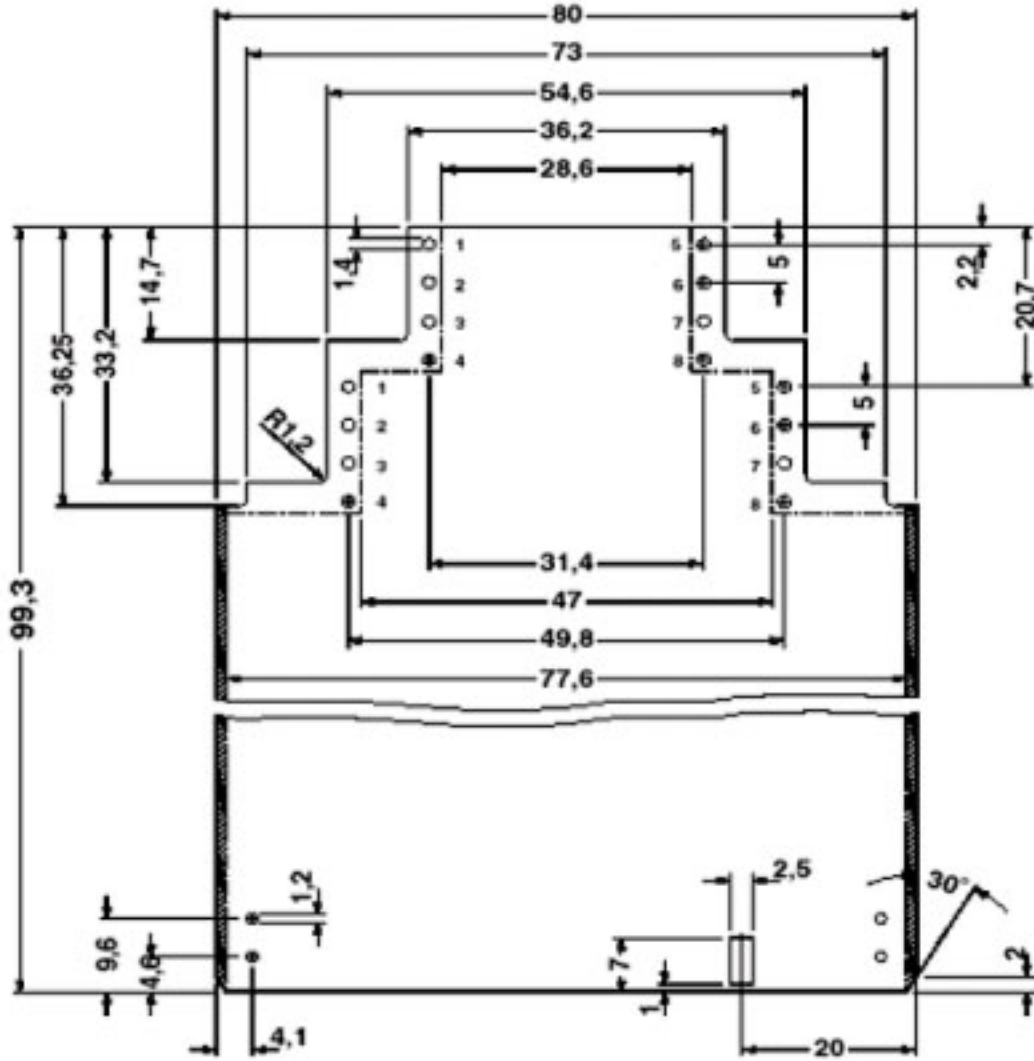
Electronic housing - ME 45 UTM G GN - 2853417

Dimensioned drawing



Electronic housing - ME 45 UTM G GN - 2853417

Dimensioned drawing



Component mounting side, if the double-level upper part is used