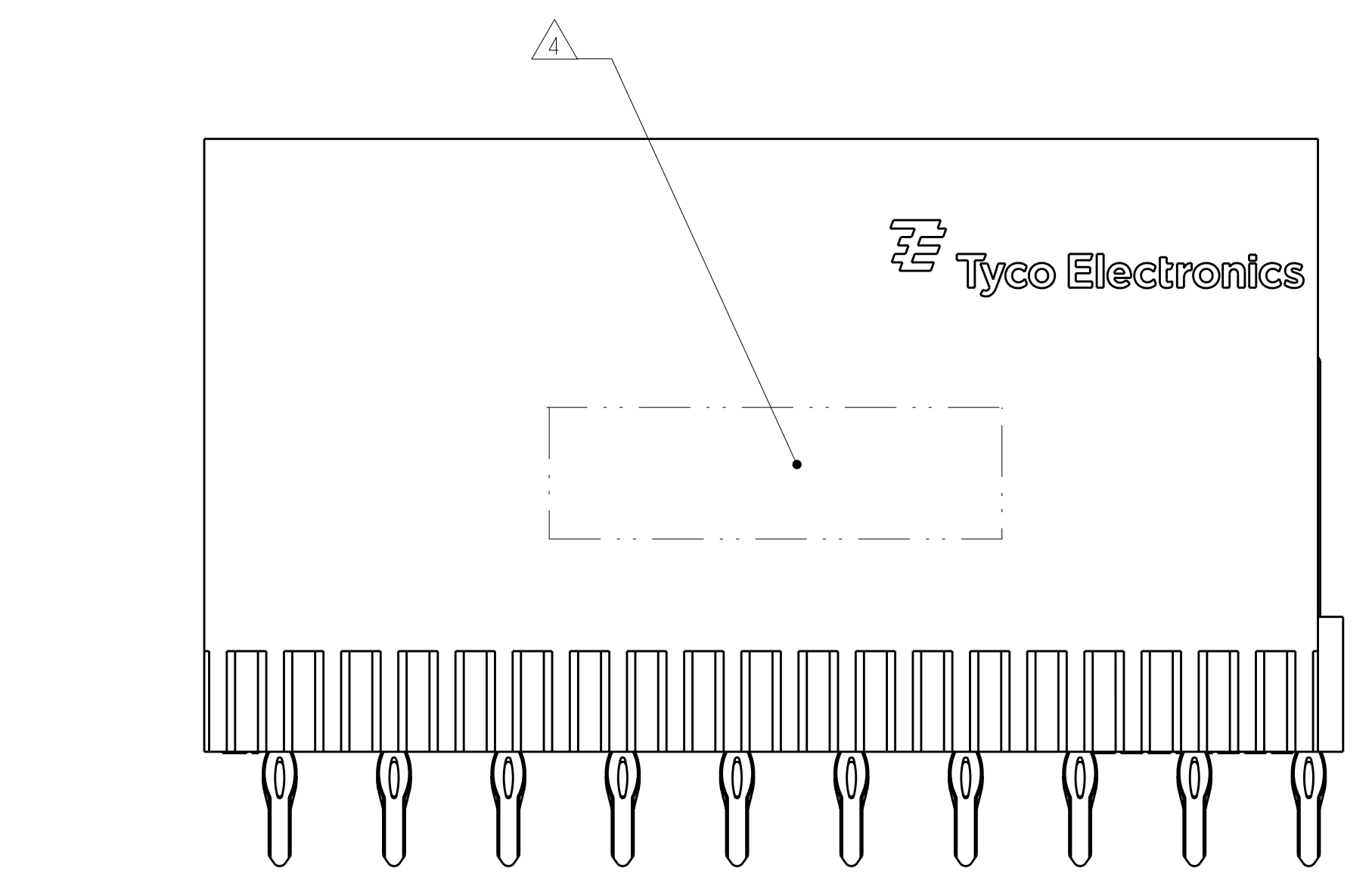
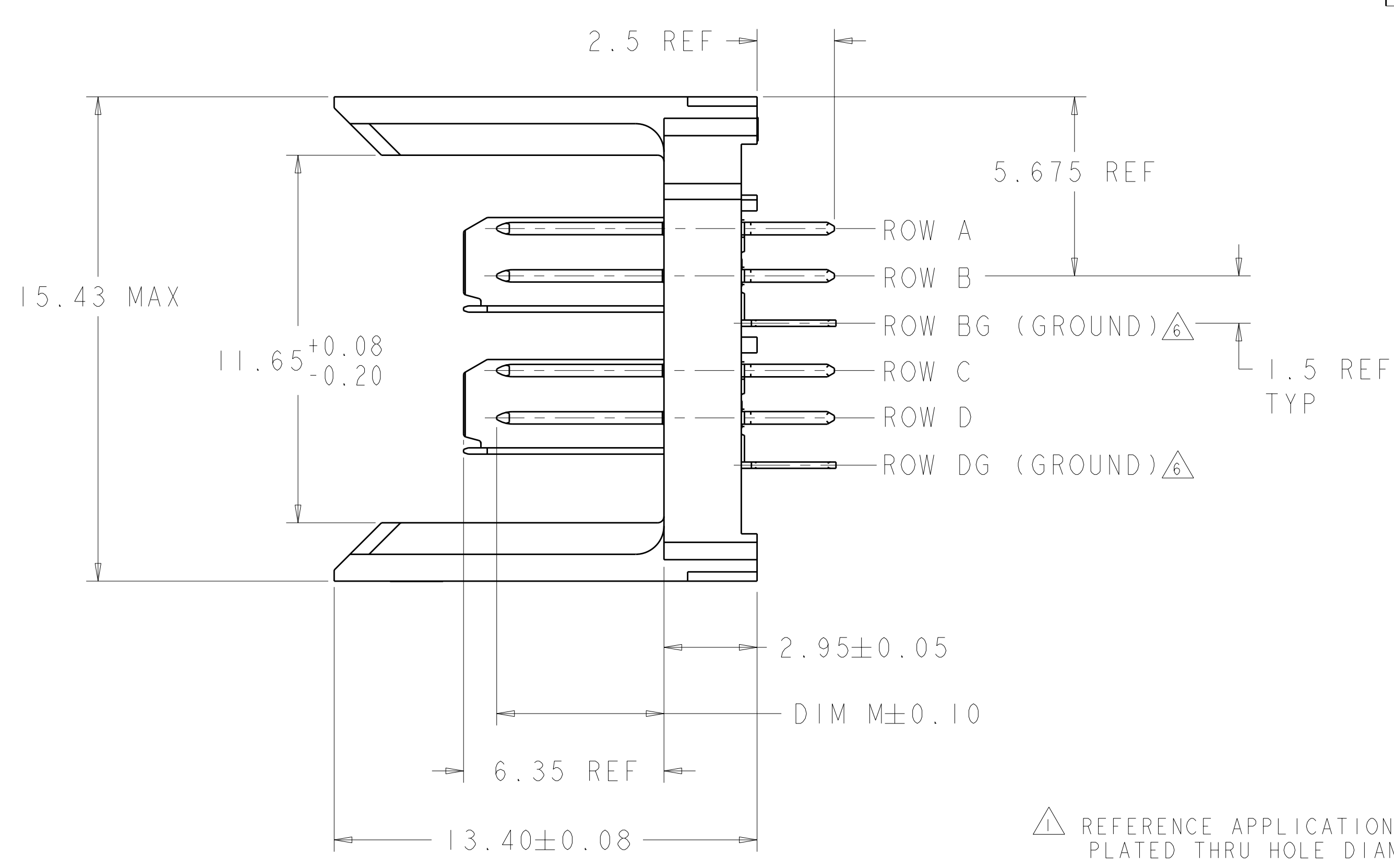
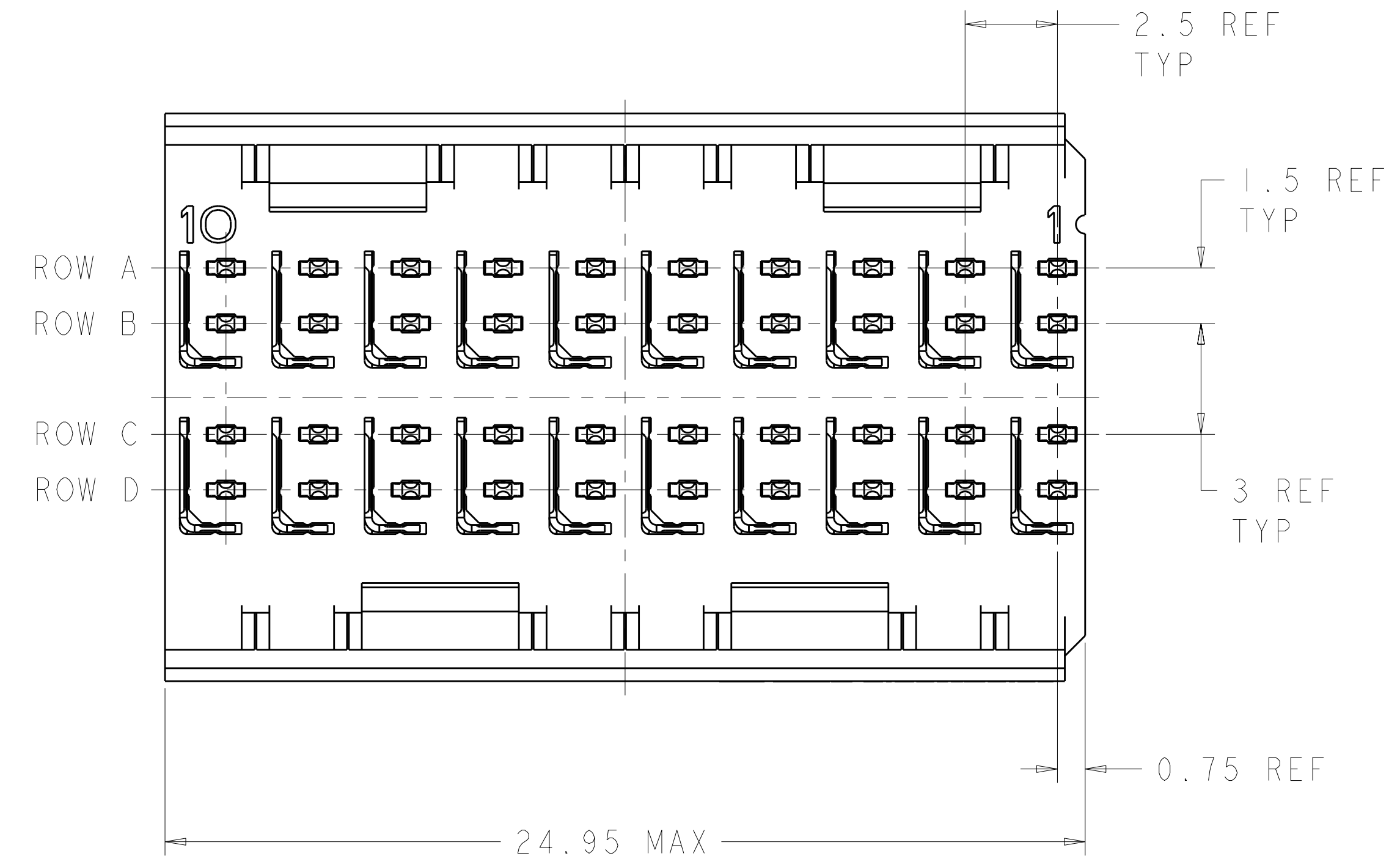
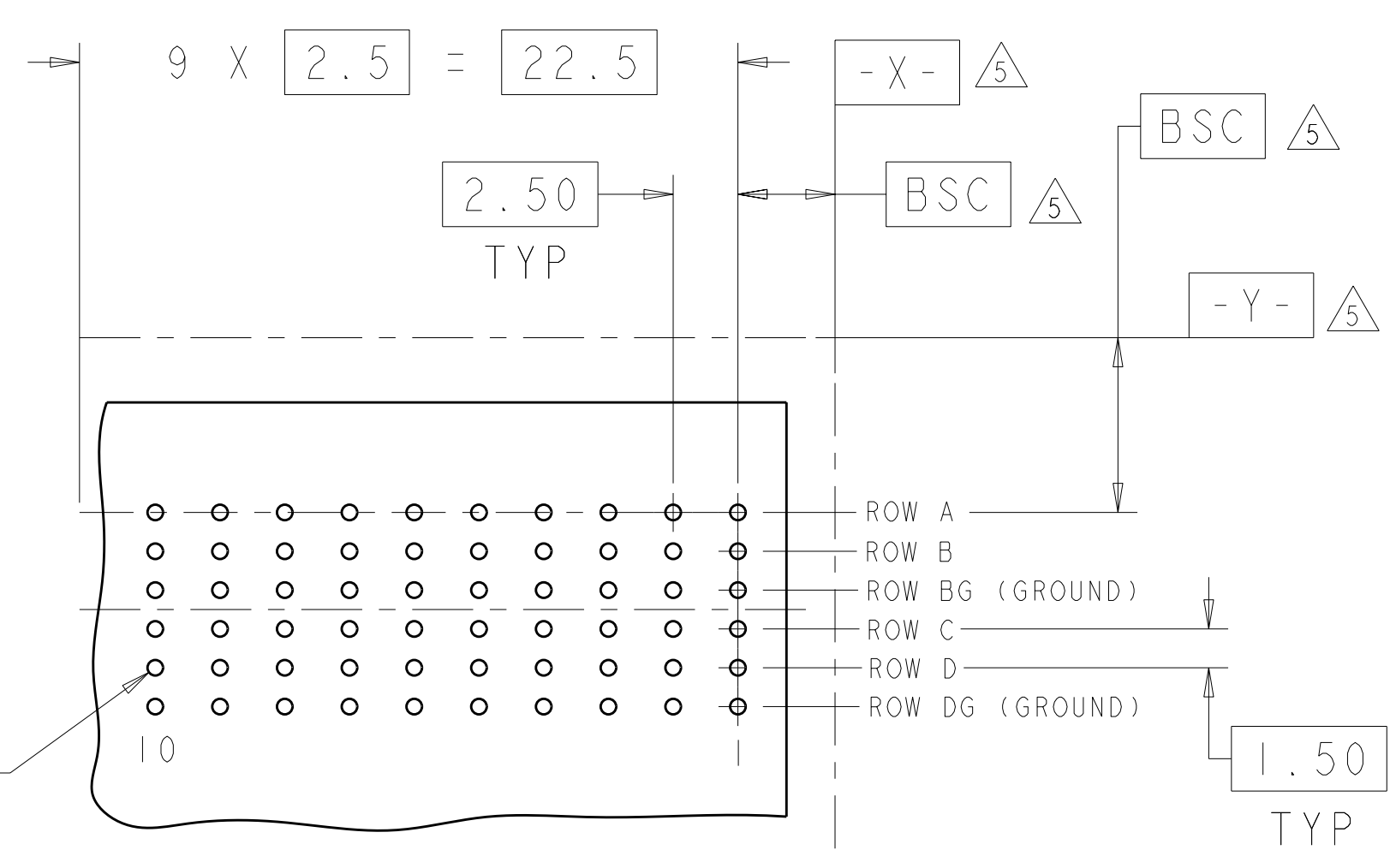


LOC	DIST	REV	DATE	BY	CHK	APPD
AD	00	B	17JAN12	KH	DY	



⊕ ∅0.05 ⊕ X Y
 ALL PLATED THRU HOLES



RECOMMENDED PC BOARD LAYOUT, BACKPLANE, COMPONENT SIDE SHOWN
 SCALE 4:1

- △ REFERENCE APPLICATION SPEC 114-13059 FOR RECOMMENDED PLATED THRU HOLE DIAMETER AND PLATING THICKNESSES.
 - △ MATERIAL:
 CONTACT AND SHIELD - PHOSPHOR BRONZE
 HOUSING - GLASS FILLED POLYESTER, UL 94V-0.
 - △ FINISH: SIGNAL AND GROUND CONTACTS:
 MATING AREA: MEETS THE PERFORMANCE REQUIREMENTS OF PRODUCT SPECIFICATION 108-2055; BASED ON TELCORDIA GR-1217-CORE, APPLICATIONS IN UNCONTROLLED ENVIRONMENTS
 COMPLIANT PIN AREA: 0.5 μm MIN MATTE TIN OVER BASE PLATING
 - △ CONNECTOR MARKED WITH PART NUMBER AND DATE CODE.
 - △ DATUMS AND BASIC DIMENSIONS ESTABLISHED BY CUSTOMER.
 - △ THE TWO GROUNDS IN EACH COLUMN ARE COMMONED.
7. CONTACT AREA LUBRICATED WITH BELLCORE APPROVED LUBRICANT. TECHNICAL REFERENCE: GR-1217-CORE, ISSUE 1, NOVEMBER 1995.

3.80	6469025-2
5.30	6469025-1
DIM M	PART NUMBER

THIS DRAWING IS A CONTROLLED DOCUMENT.		DWN S. J. MAGARO 17JUN2004	TE Connectivity
DIMENSIONS: mm		CHK R. A. PATTERSON 17JUN2004	
TOLERANCES UNLESS OTHERWISE SPECIFIED:		APPD R. PATTERSON 16AUG2007	NAME: HEADER ASSEMBLY, 2 PAIR, 2.5mm TAIL, 25mm, HMZd
9 PLC ±	±	PRODUCT SPEC	SIZE: CAGE CODE: DRAWING NO: A100779C-6469025
3 PLC ±	±	APPLICATION SPEC	RESTRICTED TO
5 PLC ±	±	WEIGHT	SCALE: 8:1 SHEET 1 OF 1 REV B
4 PLC ±	±	CUSTOMER DRAWING	
ANGLES ±	±		
FINISH ±	±		