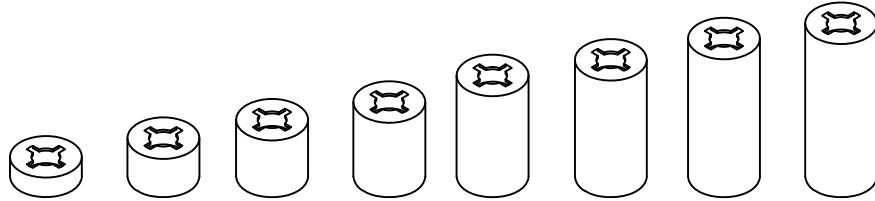
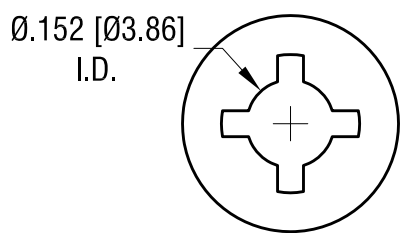
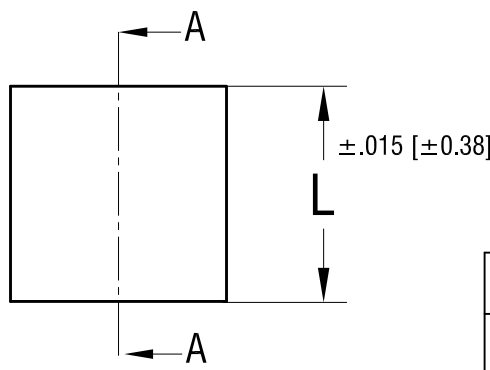
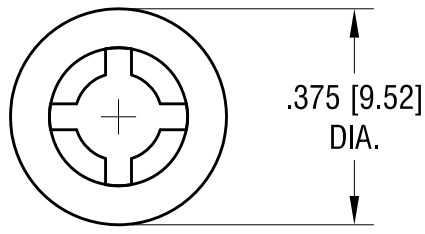
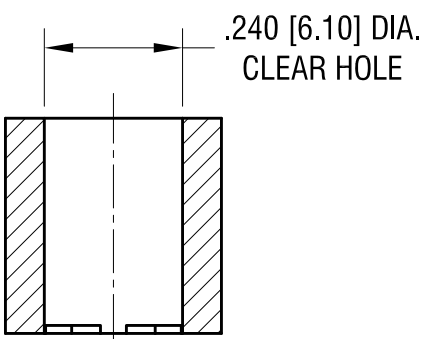


THIS DOCUMENT IS THE PROPERTY OF
KEYSTONE ELECTRONICS CORP. AND
SHALL NOT BE REPRODUCED, DISTRIBUTED
OR USED AS A BASIS FOR MANUFACTURE
WITHOUT PRIOR WRITTEN PERMISSION
FROM KEYSTONE ELECTRONICS CORP.



SECTION A-A



PART NO.	'L' DIM.
2381	.125 [3.17]
2382	.250 [6.35]
2383	.375 [9.52]
2384	.500 [12.70]
2385	.625 [15.87]
2386	.750 [19.04]
2387	.875 [22.21]
2388	1.00 [25.40]

KEYSTONE ELECTRONICS CORP.

www.keyelco.com • ASTORIA, N.Y. 11105-2017 • Tel (718) 956-8900

PART NAME		#8 RETAINING SPACER	
MATERIAL		NYLON 6/6	
FINISH	-	DRN BY	NT
		DATE	3.15.11
		APP'D	LN
		SCALE	3X
TOLERANCES	INCH [MM]	CODE	DWG NO.
DECIMAL	± .005 [± 0.13]	C	2381-2388
ANGULAR	± 1°		
UNLESS OTHERWISE SPECIFIED			

DATE	DESCRIPTION	REV.
------	-------------	------