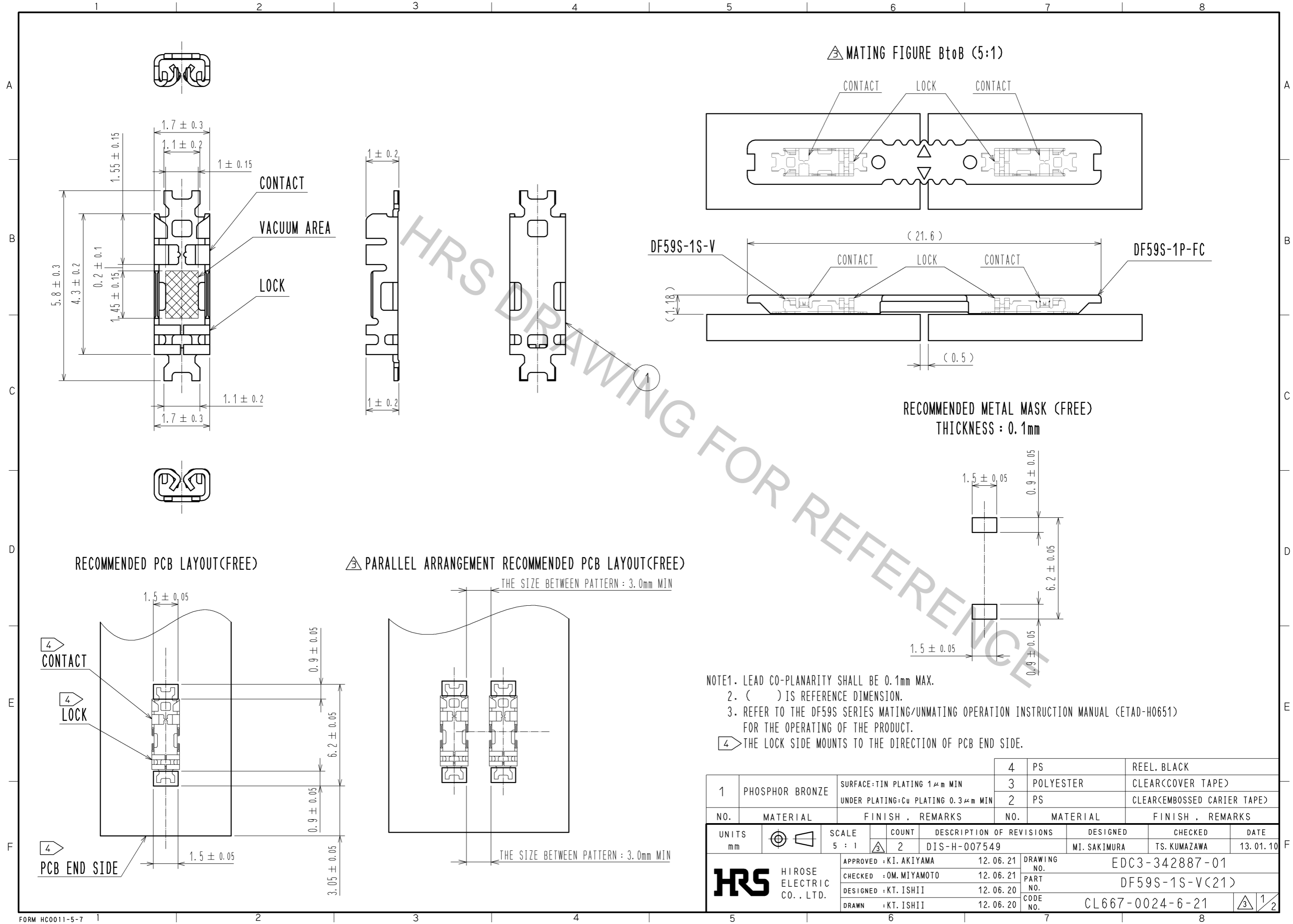
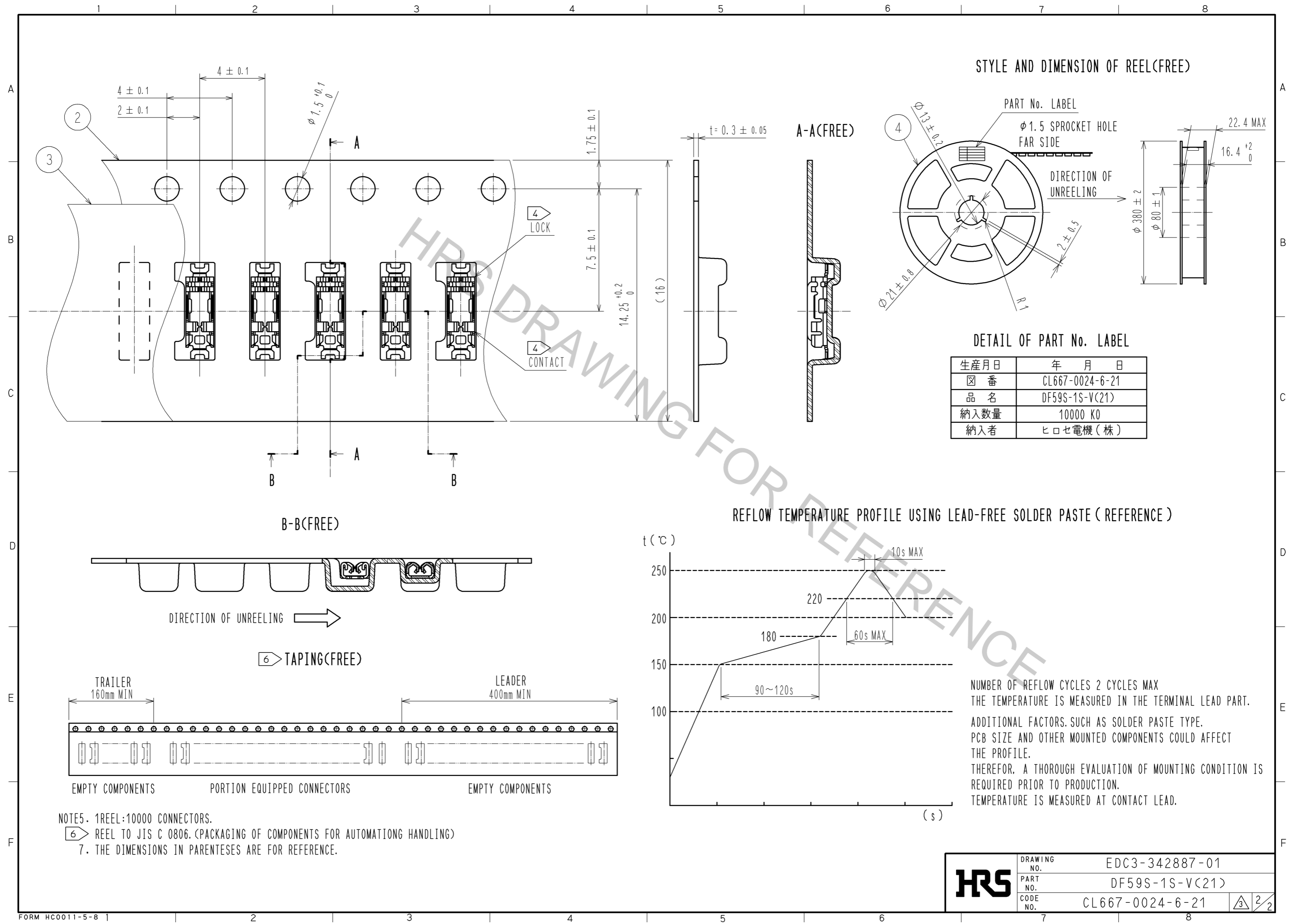


Apr.1.2017 Copyright 2017 HIROSE ELECTRIC CO., LTD. All Rights Reserved.

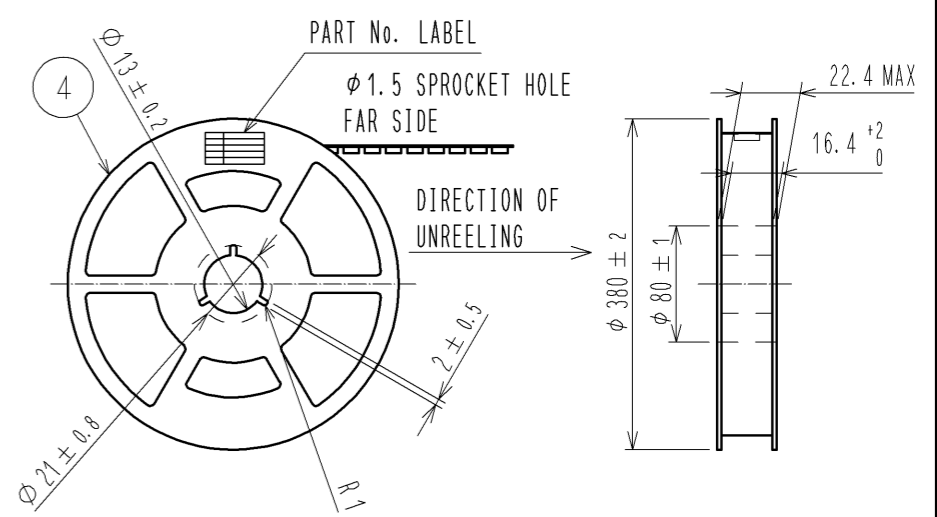


NOTE1. LEAD CO-PLANARITY SHALL BE 0.1mm MAX.
 2. () IS REFERENCE DIMENSION.
 3. REFER TO THE DF59S SERIES MATING/UNMATING OPERATION INSTRUCTION MANUAL (ETAD-H0651) FOR THE OPERATING OF THE PRODUCT.
 4 THE LOCK SIDE MOUNTS TO THE DIRECTION OF PCB END SIDE.

1	PHOSPHOR BRONZE	SURFACE:TIN PLATING 1μm MIN UNDER PLATING:Cu PLATING 0.3μm MIN	4 PS 3 POLYESTER 2 PS	REEL. BLACK CLEAR(COVER TAPE) CLEAR(EMBOSSED CARRIER TAPE)	
NO.	MATERIAL	FINISH . REMARKS	NO.	MATERIAL	FINISH . REMARKS
UNITS mm		SCALE 5 : 1	COUNT 2	DESCRIPTION OF REVISIONS DIS-H-007549	
DESIGNED MI. SAKIMURA		CHECKED TS. KUMAZAWA		DATE 13.01.10	
APPROVED : KI. AKIYAMA 12.06.21		DRAWING NO. EDC3-342887-01			
CHECKED : OM. MIYAMOTO 12.06.21		PART NO. DF59S-1S-V(21)			
DESIGNED : KT. ISHII 12.06.20		CODE NO. CL667-0024-6-21			
DRAWN : KT. ISHII 12.06.20					



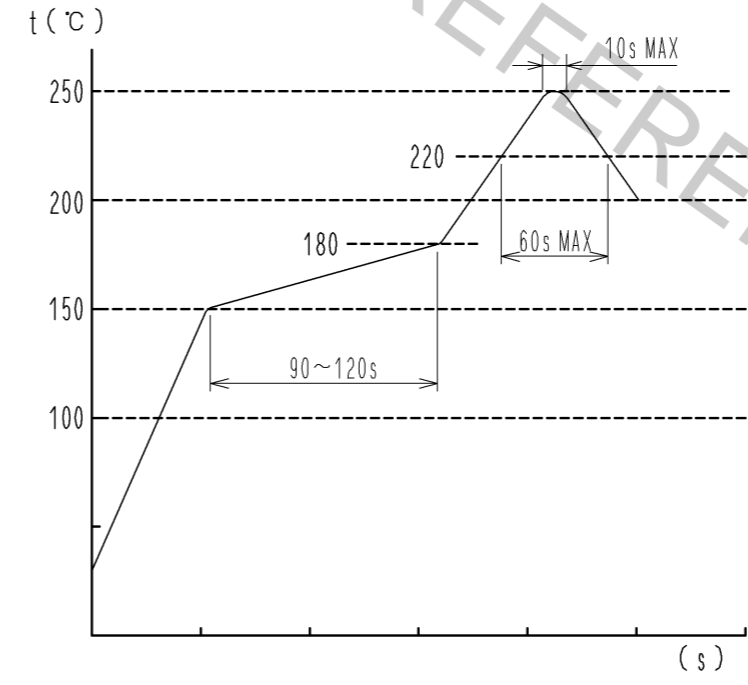
STYLE AND DIMENSION OF REEL(FREE)



DETAIL OF PART No. LABEL

生産月日	年 月 日
図 番	CL667-0024-6-21
品 名	DF59S-1S-V(21)
納入数量	10000 K0
納入者	ヒロセ電機(株)

REFLOW TEMPERATURE PROFILE USING LEAD-FREE SOLDER PASTE (REFERENCE)



NUMBER OF REFLOW CYCLES 2 CYCLES MAX
 THE TEMPERATURE IS MEASURED IN THE TERMINAL LEAD PART.
 ADDITIONAL FACTORS, SUCH AS SOLDER PASTE TYPE,
 PCB SIZE AND OTHER MOUNTED COMPONENTS COULD AFFECT
 THE PROFILE.
 THEREFORE, A THOROUGH EVALUATION OF MOUNTING CONDITION IS
 REQUIRED PRIOR TO PRODUCTION.
 TEMPERATURE IS MEASURED AT CONTACT LEAD.

- NOTE5. 1REEL:10000 CONNECTORS.
 6 REEL TO JIS C 0806. (PACKAGING OF COMPONENTS FOR AUTOMATING HANDLING)
 7. THE DIMENSIONS IN PARENTHESES ARE FOR REFERENCE.

HRS	DRAWING NO.	EDC3-342887-01
	PART NO.	DF59S-1S-V(21)
	CODE NO.	CL667-0024-6-21
		3/2