

NOTES:

- 1.0 MATERIALS:
 - 1.1 COUPLING NUT & HOUSINGS:
STAINLESS STEEL PER ASTM-A582, TYPE 303.
 - 1.2 CENTER CONTACT: BERYLLIUM COPPER ROD
ALLOY C172, PER ASTM-B196.

2.0 PLATING:

- 2.1 COUPLING NUT & HOUSINGS:
PASSIVATED PER MIL-F-14072 & QQ-P-35.
- 2.2 CENTER CONTACT: GOLD PER MIL-G-45204,
TYPE II, CLASS 2

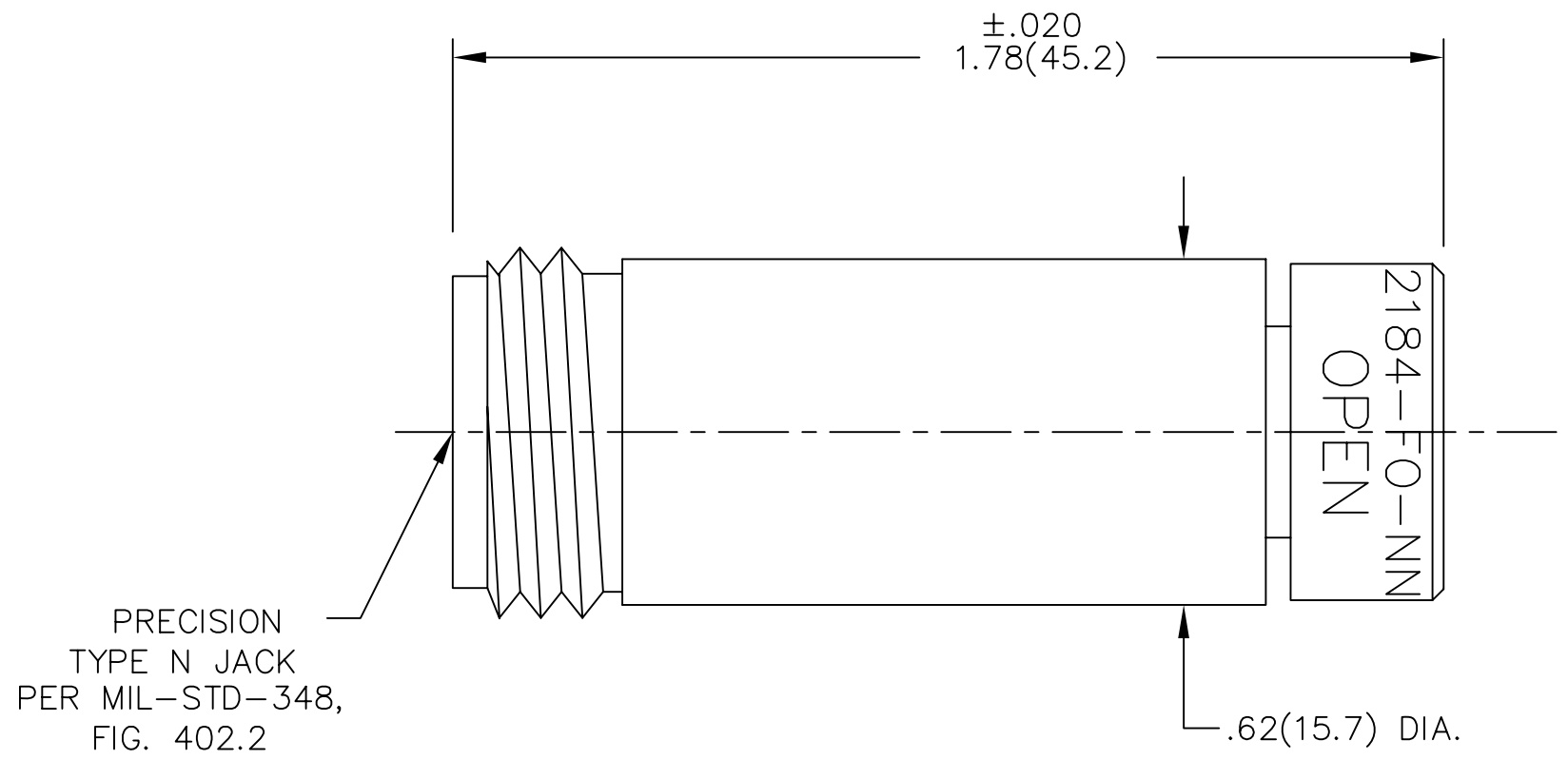
3.0 MARKING: MARK UNIT AS SHOWN

OPN-2184-FO-NNN-02

OPEN

THE WORD "OPEN"
SHOULD BE AS BIG
& AS BOLD AS POSSIBLE

4.0 DIMENSIONS IN PARENTHESIS ARE IN
MILLIMETERS.



| REV. | DESCRIPTION | DATE |
|------|------------------|---------|
| - | RELEASED | 1/4/95 |
| A | ECN 14348 | 3/9/95 |
| B | ECN 14596 | 7/27/95 |
| B1 | ADDED TITLEBLOCK | 7/14/05 |

| | | | | |
|---|---|-------------------------------|---|--------------|
| UNLESS OTHERWISE NOTED DIMENSIONS ARE IN INCHES AND TOLERANCES ARE: 3 PLACE DECIMALS ±.005 2 PLACE DECIMALS ±.02 FRACTIONS ±1/64 PARALLELITY: T.I.R. _____ FLATNESS: T.I.R. _____ CONCENTRICITY: T.I.R. _____ ANGLES AND PERPENDICULARITY: ±1° | FSCM NO. 34078 | MIDWEST MICROWAVE | | |
| | NOTICE: The information contained in this drawing is proprietary and must not be used without the permission of Midwest Microwave | | TITLE TYPE N JACK OPEN CIRCUIT TERMINATION | |
| | DRAWN/DATE A.BEATTY 12/27/94 | ENG./DATE A.OSGA 1/4/95 | DRAWING NUMBER OPN-2184-FO-NNN-02 | |
| | CHECKED/DATE M.HOLLMAN 1/3/95 | APPROVED/DATE | SCALE: 3=1 | SHEET 1 of 1 |