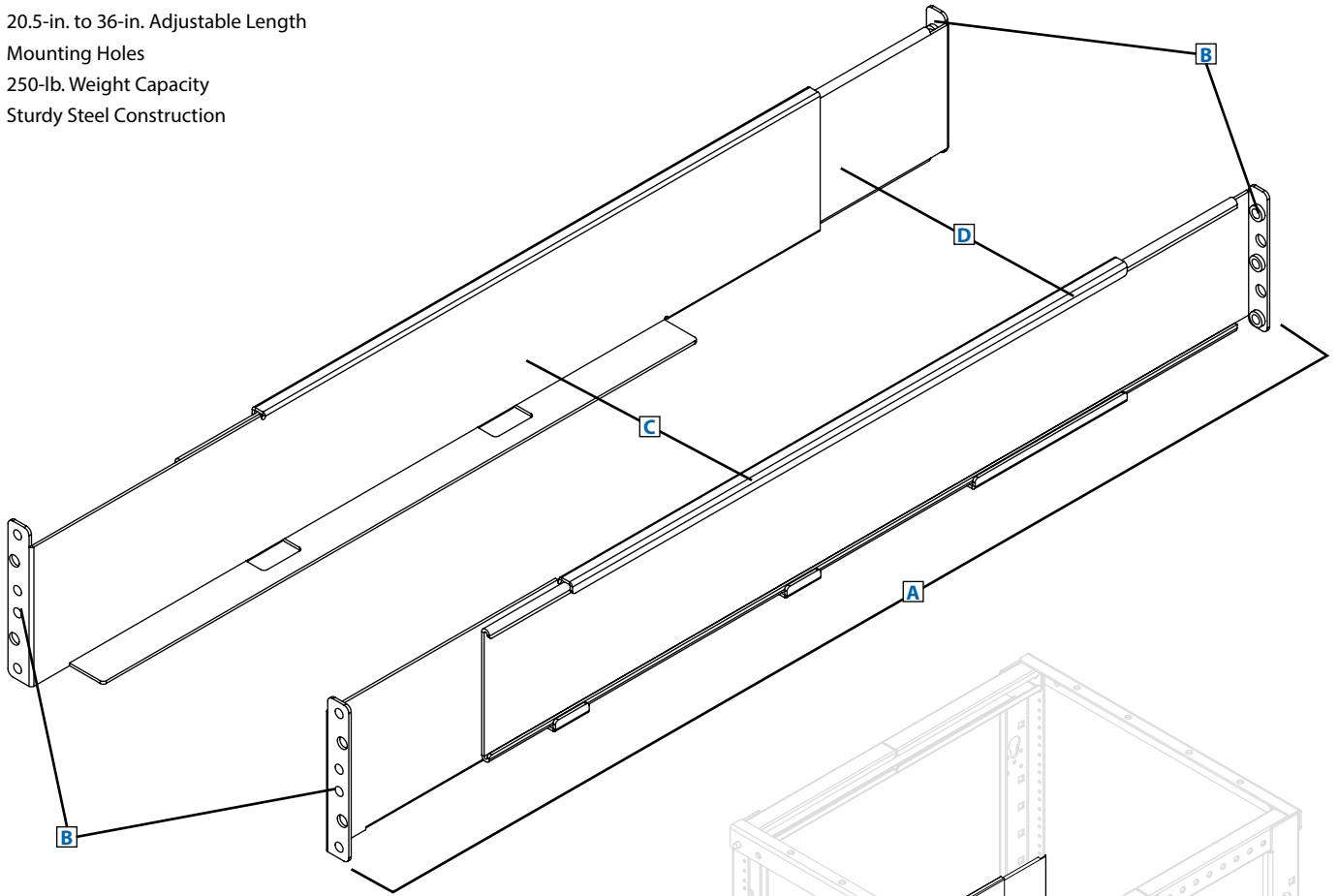


MODEL:

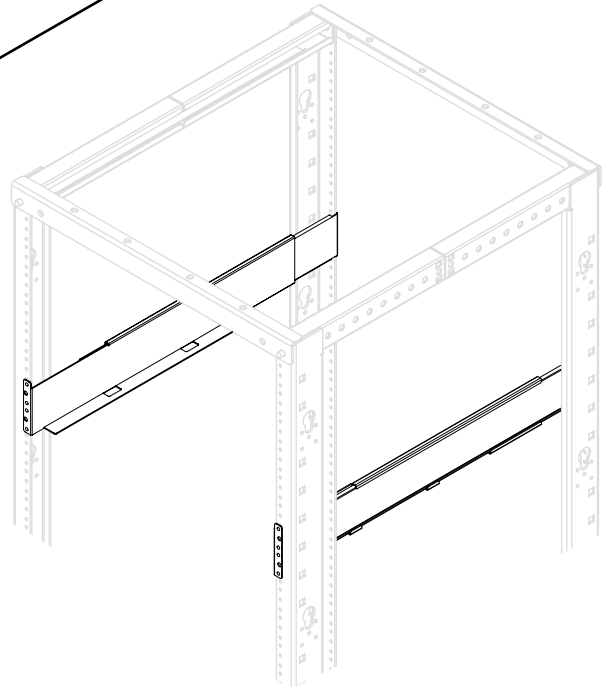
# 4POSTRAILKIT

## 2U Universal Adjustable Rackmount Shelf Kit

- A** 20.5-in. to 36-in. Adjustable Length
- B** Mounting Holes
- C** 250-lb. Weight Capacity
- D** Sturdy Steel Construction



The 4POSTRAILKIT is an adjustable rackmount shelving system that supports heavy UPS systems as well as other heavy pieces of networking or power protection equipment. Expandable mounting rails offer front-to-rear support for equipment with 17.5-inch wide rectangular chassis and adjust to any setting between 20.5 and 36 inches. The 4POSTRAILKIT includes mounting hardware compatible with square-hole racks and supports weights of up to 250 lbs.



SEE NEXT PAGE FOR DETAILED UNIT MEASUREMENTS

### Specifications

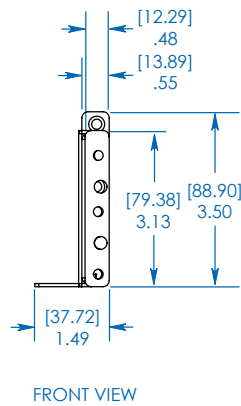
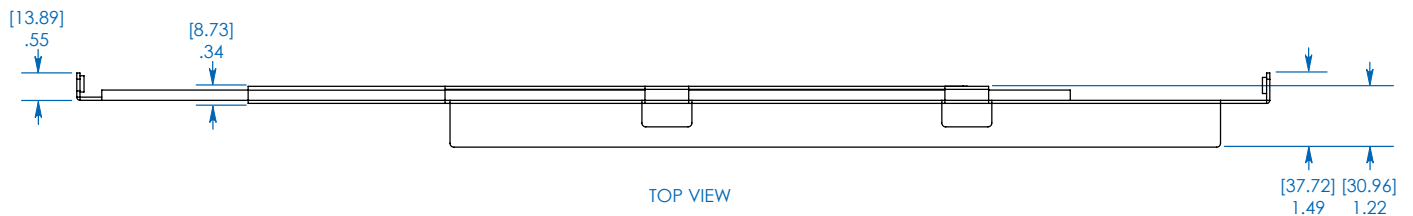
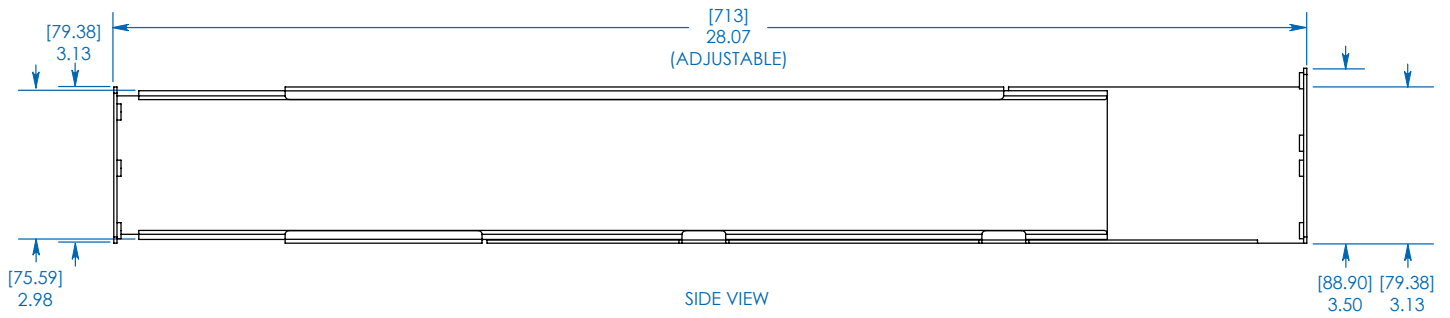


Model	4POSTRAILKIT
Shipping Dimensions (H x W x D)	3.54 x 2.36 x 22 in (9 x 6 x 55.9 cm)
Shipping Weight	5.5 lbs (14.0 kg)
Regulatory Compliance	Meets RoHS standards

Tripp Lite has a policy of continuous improvement. Specifications are subject to change without notice.



1111 W. 35th Street  
Chicago, IL 60609 USA  
773.869.1234  
www.tripplite.com



Dimensions: [mm] INCHES

Tripp Lite has a policy of continuous improvement. Specifications are subject to change without notice.

MODEL:  
**4POSTRAILKIT**

**TRIPP·LITE**

1111 W. 35th Street  
Chicago, IL 60609 USA  
773.869.1234  
www.tripplite.com