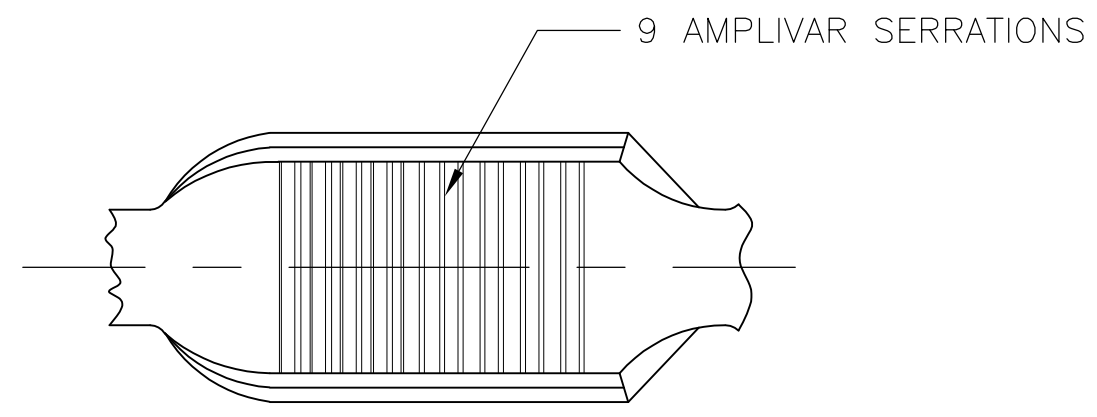
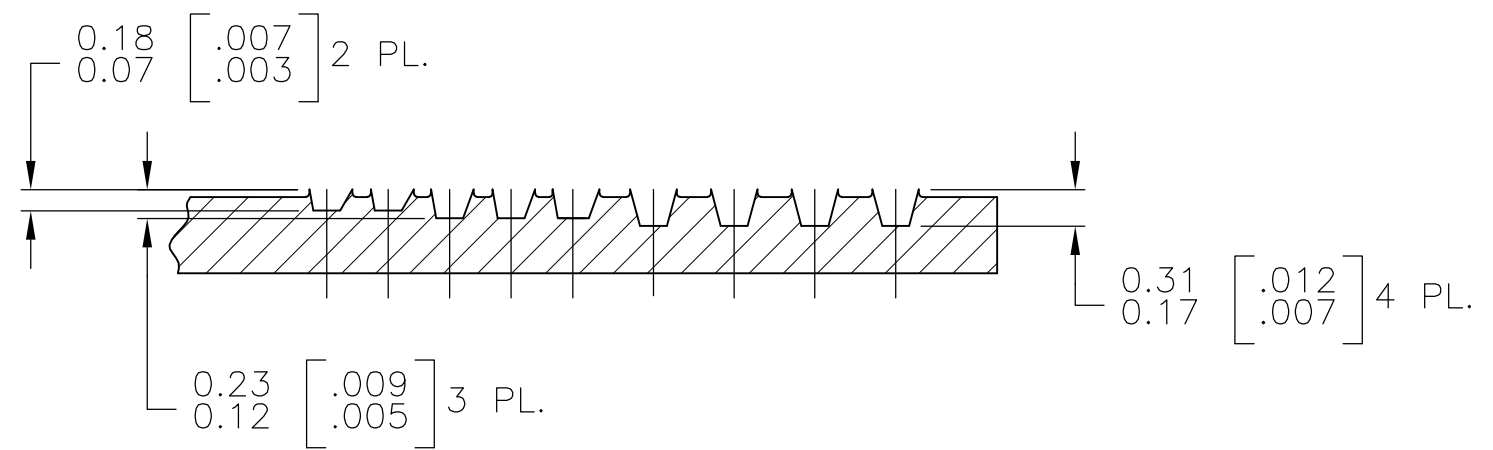
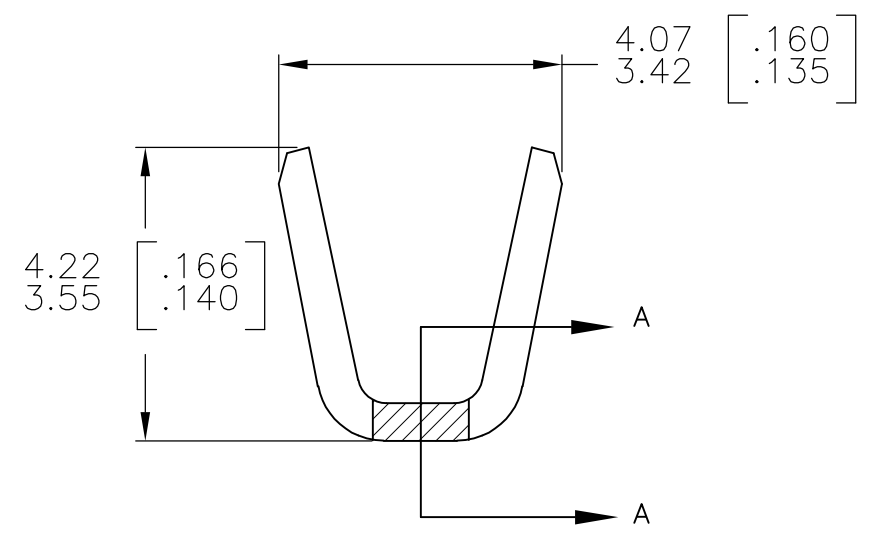
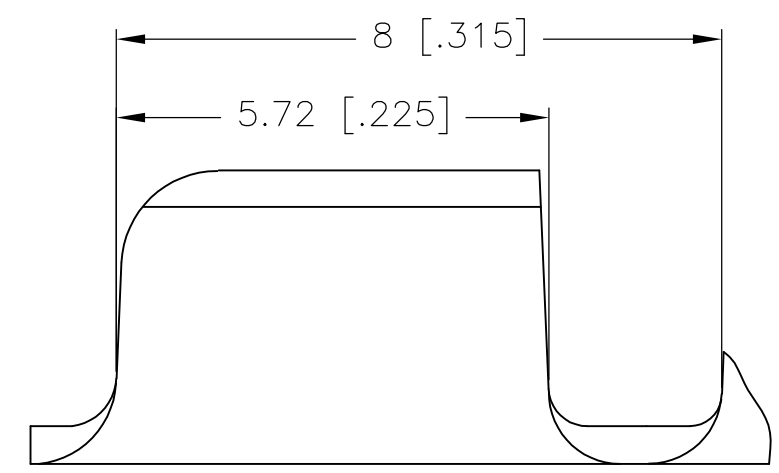


THIS DRAWING IS UNPUBLISHED. RELEASED FOR PUBLICATION
 © COPYRIGHT - By - ALL RIGHTS RESERVED.

LOC	DIST	REVISIONS			
P	LTR	DESCRIPTION	DATE	DWN	APVD
AF	50	E5	REVISED PER ECO-11-004917	11MAR11	RK HMR



- 1 PRODUCT PROVIDED IN STRIP FORM ON REELS; BREAKS MAY BE PRESENT.
- 2 DIMENSIONS IN BRACKETS ARE IN INCHES.
- 3 CRIMP WIDTH: .110 F (AMPLIVAR TYPE)
 CRIMP HEIGHT (±.002)=(TOTAL CMA +10,700)/193,400
 GENERAL APPLICATION GUIDELINES MUST BE FOLLOWED AS SPECIFIED IN CATALOG # 82221
 FOR APPLICATOR INFORMATION CALL: 1-800-722-1111
 FOR PRODUCT INFROMATION CALL: 1-800-522-6752



SECTION A-A
 SCALE : 20:1

METRIC

62306-2
 PART NO.

THIS DRAWING IS A CONTROLLED DOCUMENT.		DWN RAGHAVENDRA 31JAN06	STE TE Connectivity	
DIMENSIONS: mm [INCHES]		CHK G.D.PORTA		
TOLERANCES UNLESS OTHERWISE SPECIFIED:		APVD G.D.PORTA	NAME SPLICE, AMPLIVAR 1500-5000 CMA	
0 PLC ± -		PRODUCT SPEC -	APPLICATION SPEC 114-2003	
1 PLC ± -		SIZE A3	CAGE CODE 00779	DRAWING NO C-62306
2 PLC ± 0.38[.015]		WEIGHT -	RESTRICTED TO -	
3 PLC ± -		CUSTOMER DRAWING		
4 PLC ± -		SCALE 10:1		
ANGLES ± 1°		SHEET 1 OF 1		
FINISH TIN PL.		REV E5		
MATERIAL REF 0.51±0.03 [.020±.001] BRASS				