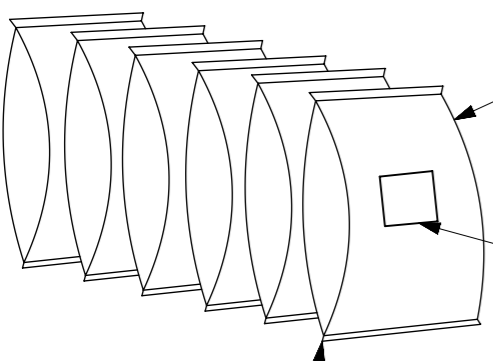


PART NUMBER	PCB THICKNESS	CKT SIZE	HOUSING QUANTITY PER POLYBAG	POLYBAGS PER PRIMARY CARTON BOX	TOTAL HOUSING QUANTITY PER PRIMARY CARTON BOX	TOTAL PRIMARY CARTONS PER MASTER CARTON BOX	TOTAL HOUSING QUANTITY PER MASTER CARTON BOX
2008900102	1.6MM PCB	2	500	6	3,000	2	6,000
2008900104		4	400		2,400		4,800
2008900106		6	300		1,800		3,600
2008900108		8	200		1,200		2,400
2008900202	1.2MM PCB	2	500		3,000		6,000
2008900204		4	400		2,400		4,800
2008900206		6	300		1,800		3,600
2008900208		8	200		1,200		2,400

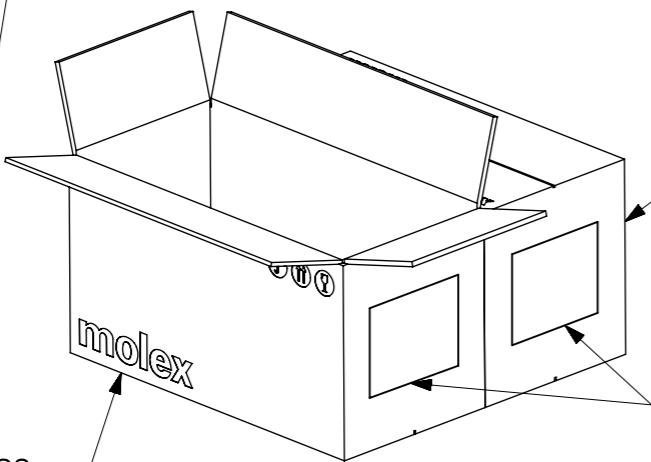
SILICA GEL BAG
SEE NOTE 4



POLYBAG(260X250MM SIZE)
359070014
(6 NOS)

PACKAGING LABEL

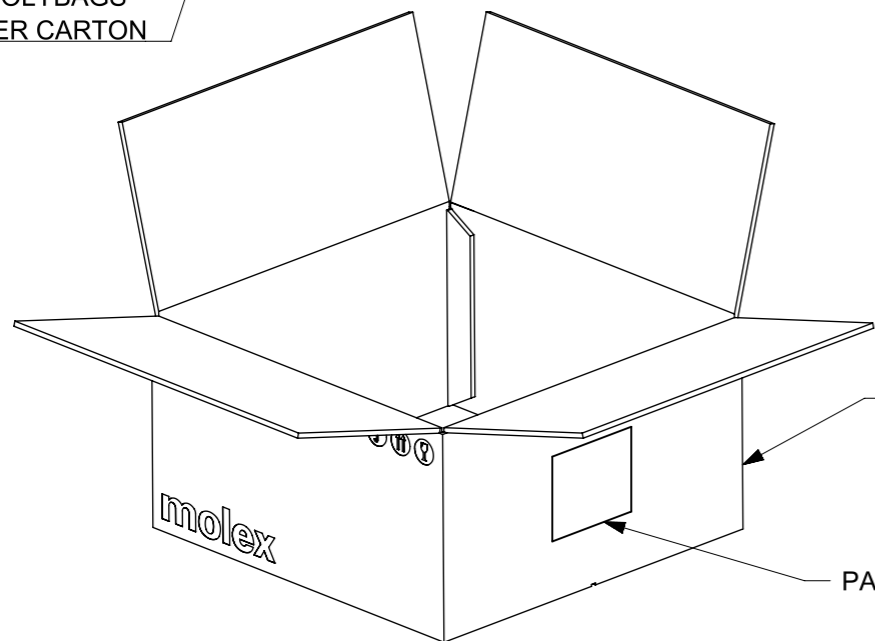
6 POLYBAGS
CONSISTING OF PRODUCT
INTO 1 PRIMARY BOX



PRIMARY CARTON
967070001
(2 NOS)

PACKAGING LABEL

2 PRIMARY BOXES
CONSISTING OF 6 POLYBAGS
EACH INTO 1 MASTER CARTON



MASTER CARTON
35909-0082

PACKAGING LABEL

NOTES:

1. NO EMPTY SPACE ALLOWED IN THE BOX.
2. PRODUCT LABEL AND SHIPPING LABEL TO BE ATTACHED AT THE LOCATIONS SHOWN(REF ES-40000-7012)
3. PACKAGING MUST CONFORM TO MOLEX "GENERAL TESTS FOR SHIPPING UNITS" STANDARD ES-40000-7001
4. PART TO BE SHIPPED WITH SILICA DESICCANT GEL BAG

QUALITY SYMBOLS 	THIS DRAWING CONTAINS INFORMATION THAT IS PROPRIETARY TO MOLEX ELECTRONIC TECHNOLOGIES, LLC AND SHOULD NOT BE USED WITHOUT WRITTEN PERMISSION										
	REV PER DROP TEST EC NO: 123177 DRWN: GB CHK'D: SHCHU APPR: YSKIM02	2016/10/21	2017/10/23	GENERAL TOLERANCES (UNLESS SPECIFIED)		DIMENSION UNITS	SCALE				
		2017/10/23	2017/10/23	ANGULAR TOL ± °		mm	1:1				
		4 PLACES ±		BR02		DATE 2016/03/22					
		3 PLACES ±		BR02		DATE 2016/05/05					
		2 PLACES ±		KPRASAD		DATE 2016/07/27					
	1 PLACE ±		DRAWING SIZE		THIRD ANGLE PROJECTION		SERIES: 200890 MATERIAL NUMBER: SEE CHART CUSTOMER:				
	0 PLACES ±		A3				DOCUMENT NUMBER: 2008900001PK DOC TYPE: PDD DOC PART: 000 SHEET NUMBER: 1 OF 1				
	DRAFT WHERE APPLICABLE MUST REMAIN WITHIN DIMENSIONS										