

6

5

4

3

2

1

E

E

D

D

C

C

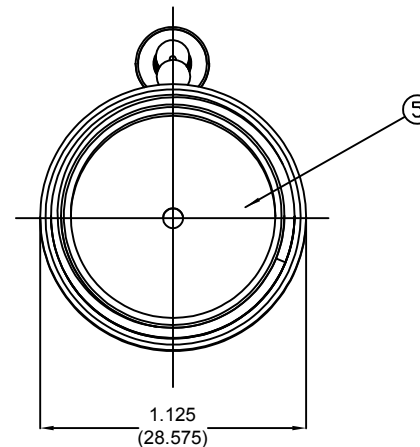
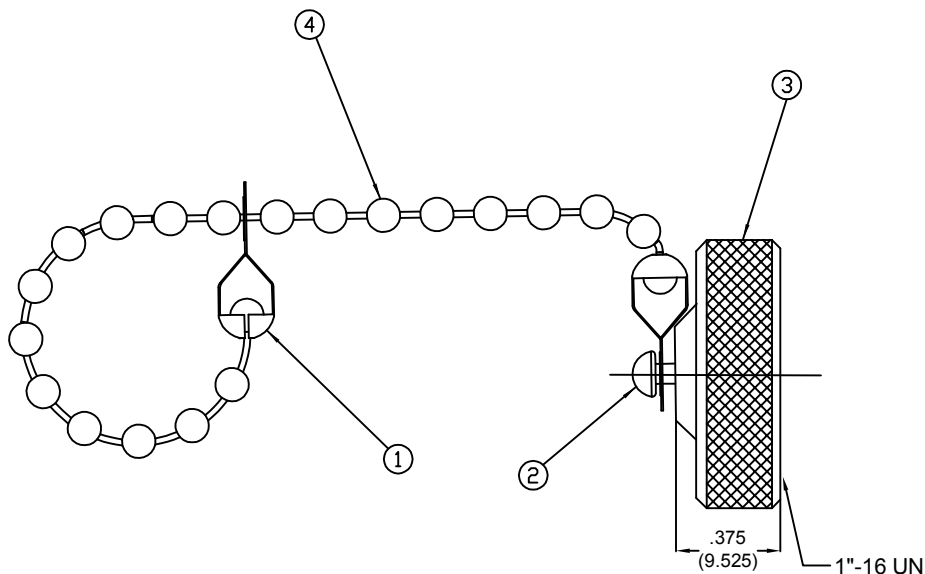
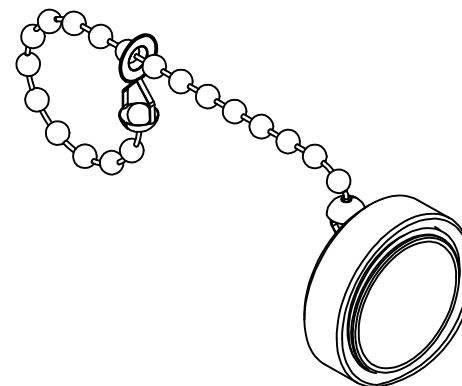
B

B

A

A

| | |
|-------------|-----------------|
| PART NUMBER | OLD PART NUMBER |
| 1302011116 | 65-0103 |



| - | COMPONENT | MATERIAL | FINISH |
|---|-----------------------------|-----------------|---------------|
| 1 | BEAD CHAIN FITTING (1/8IN.) | STEEL | NICKEL PLATED |
| 2 | .187 SCREW | STAINLESS STEEL | PASSIVATED |
| 3 | CLOSURE CAP | ZINC DIE CAST | BLACK E-COAT |
| 4 | BEAD CHAIN | STEEL | NICKEL PLATED |
| 5 | GASKET | NEOPRENE | BLACK |

EC NO: WNA2010-0167
 DRWN: BWOODMAN
 CHKD: —
 APPR: JFMURPHY 2009/09/11

9/3/09
 2009/09/11

DESCRIPTION
 REV B

QUALITY SYMBOLS
 ▽=0
 ∇C=0

GENERAL TOLERANCES (UNLESS SPECIFIED)

| | mm | INCH |
|----------|-------|-------|
| 4 PLACES | ±--- | ±--- |
| 3 PLACES | ±.005 | ±.005 |
| 2 PLACES | ±.013 | ±.010 |
| 1 PLACE | ±.025 | ±.020 |

ANGULAR ±1/2°

DRAFT WHERE APPLICABLE MUST REMAIN WITHIN DIMENSIONS

DIMENSION STYLE IN/MM

DRAWN BY DATE
 TVICKERS 2009/08/21

CHECKED BY DATE
 B.WOODMA 2009/08/21

APPROVED BY DATE
 JFMURPHY 2009/09/11

MATERIAL NO.
 SEE CHART

SIZE A

SCALE 1:1

DESIGN UNITS INCH

THIRD ANGLE PROJECTION

TITLE
 CLOSURE CAP ASSEMBLY

MOLEX INCORPORATED

DOCUMENT NO. SD-130201-232

SHEET NO. 1 OF 1

THIS DRAWING CONTAINS INFORMATION THAT IS PROPRIETARY TO MOLEX INCORPORATED AND SHOULD NOT BE USED WITHOUT WRITTEN PERMISSION

6

5

4

3

2

1