

DO NOT SCALE FROM THIS PRINT

DESIGNED & DIMENSIONED IN MILLIMETERS [INCHES]

QSFP8-XXX-01-X-D-RA1-XX

No. OF POSITIONS
*-020, -038, *-100
(TOTAL NUMBER OF POSITIONS)

LEAD STYLE
-01

PLATING SPECIFICATION
-L: 10U" MIN AU/50U"Ni IN CONTACT, TIN ON TAIL

(* = NOT TOOLED)

OPTIONS
-TR: TAPE & REEL (LEAVE BLANK FOR TUBE PACKAGING)

SMT TYPE
-RA1: RIGHT ANGLE

ROW SPECIFICATION
-D: DOUBLE ROW

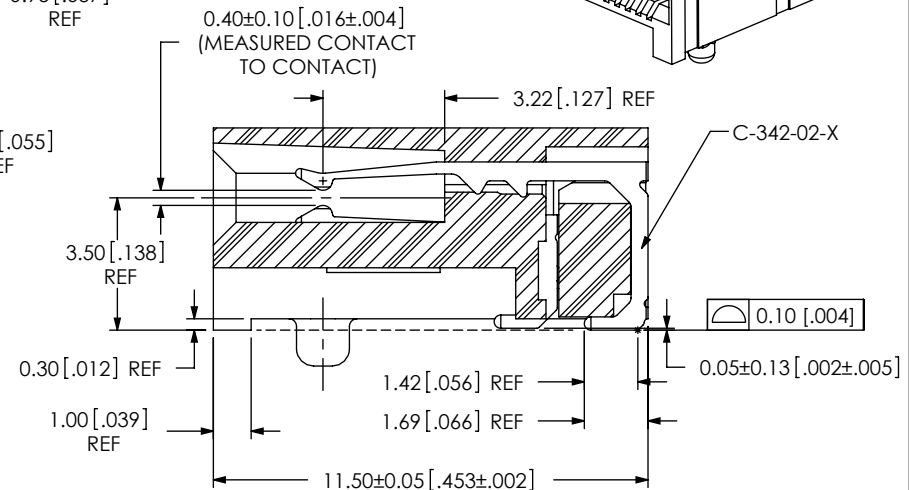
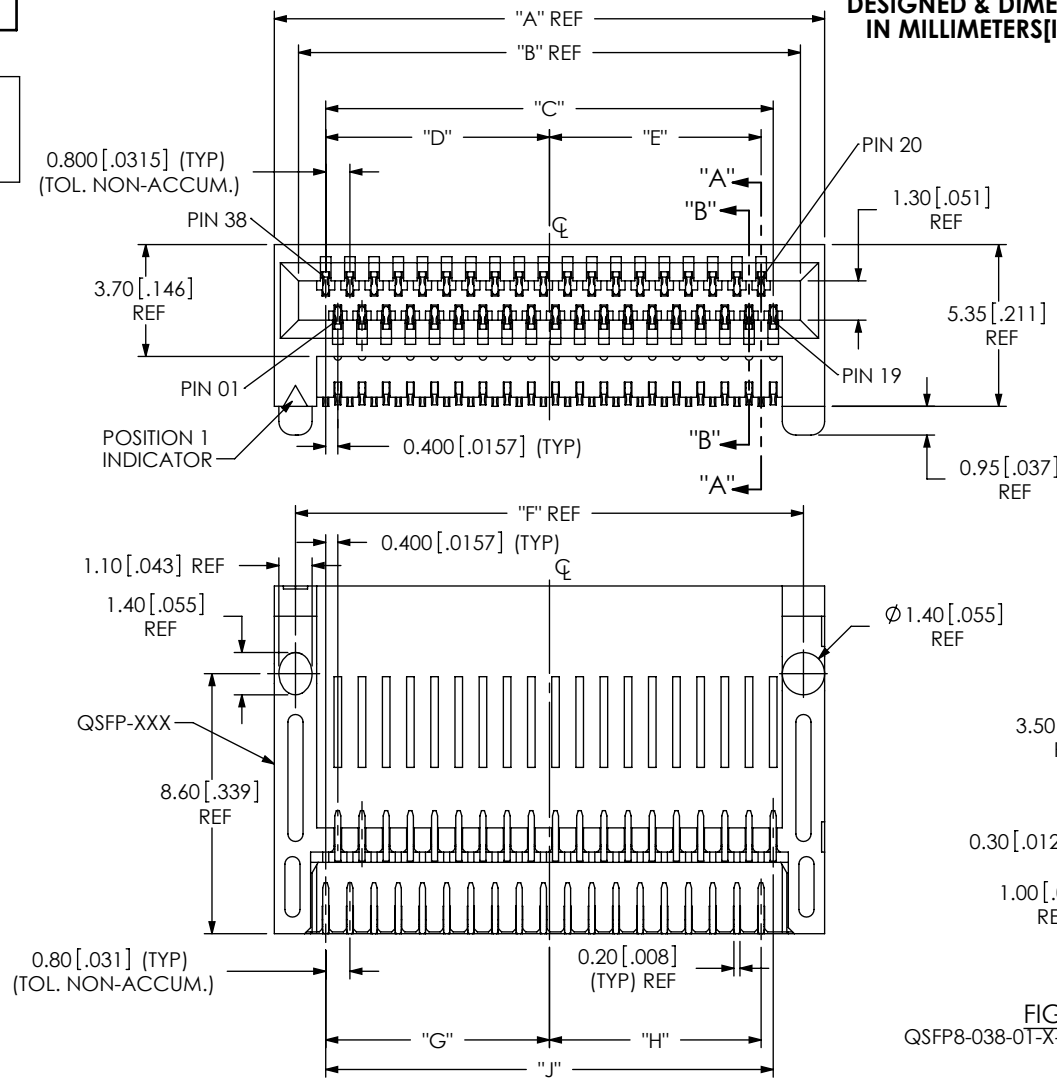
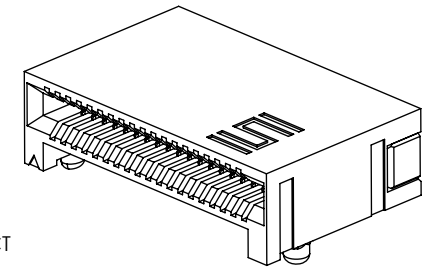


FIG 1 QSFP8-038-01-X-D-RA1 SHOWN

SECTION "A"- "A" SCALE 5:1

TABLE 2

No. OF POS	"G"	"H"	"J"
*-020	3.80 [0.150]	3.40 [0.134]	7.60 [0.299]
-038	7.40 [0.291]	7.00 [0.276]	14.80 [0.583]
*-100	19.80 [0.780]	19.40 [0.764]	39.60 [1.559]

(* = NOT TOOLED)

TABLE 1

No. OF POS	"A"	"B"	"C"	"D"	"E"	"F"
*-020	11.00 [0.433]	9.40 [0.370]	7.60 [0.299]	3.80 [0.150]	3.40 [0.134]	9.60 [0.378]
-038	18.20 [0.717]	16.60 [0.654]	14.80 [0.583]	7.40 [0.291]	7.00 [0.276]	16.80 [0.661]
*-100	43.00 [1.693]	41.40 [1.630]	39.60 [1.559]	19.80 [0.780]	19.40 [0.764]	41.60 [1.638]

(* = NOT TOOLED)

NOTES:

- ⊙ REPRESENTS A CRITICAL DIMENSION.
- MINIMUM PUSHOUT FORCE: 1.11N [0.25 LB].
- NOTE DELETED.

UNLESS OTHERWISE SPECIFIED, DIMENSIONS ARE IN MILLIMETERS. TOLERANCES ARE:
DECIMALS ANGLES
X.X: ±0.3 [0.1] 2°
X.XX: ±0.13 [0.05]
X.XXX: ±0.051 [0.020]

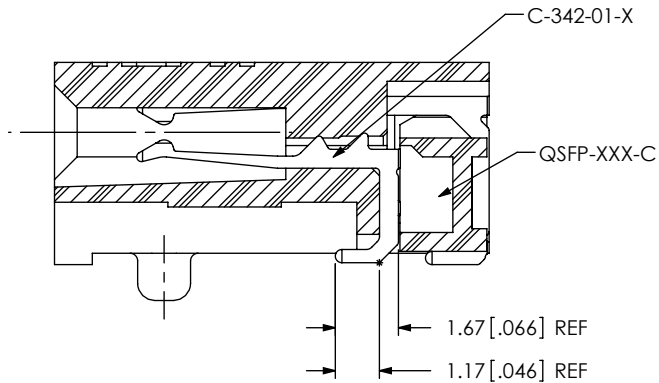
PROPRIETARY NOTE
THIS DOCUMENT CONTAINS INFORMATION CONFIDENTIAL AND PROPRIETARY TO SAMTEC, INC. AND SHALL NOT BE REPRODUCED OR TRANSFERRED TO OTHER DOCUMENTS OR DISCLOSED TO OTHERS OR USED FOR ANY PURPOSE OTHER THAN THAT WHICH IT WAS OBTAINED WITHOUT THE EXPRESSED WRITTEN CONSENT OF SAMTEC, INC.



520 PARK EAST BLVD., NEW ALBANY, IN 47150
PHONE: 812-944-6733 FAX: 812-948-5047
e-Mail: info@SAMTEC.com code 53322

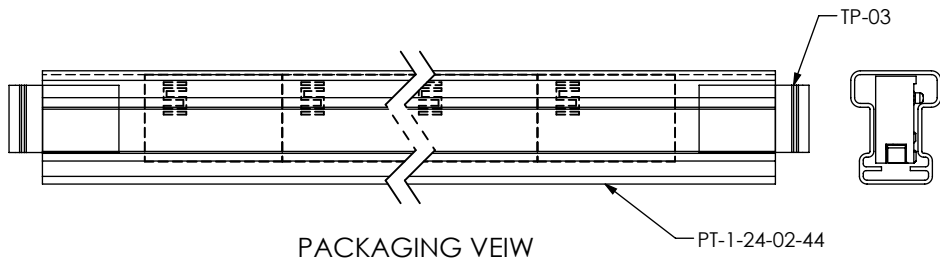
MATERIAL: DO NOT SCALE DRAWING SHEET SCALE: 4:1
INSULATOR: LCP, COLOR: BLACK
CONTACT: PHOS BRONZE
F:\DWG\MISC\MKTG\QSFP8-XXX-01-X-D-RA1-XX-MKT.SLDDRW

DESCRIPTION: QSFP8 ASM
DWG. NO. QSFP8-XXX-01-X-D-RA1-XX
BY: ROY LUO 7/20/2010 SHEET 1 OF 2

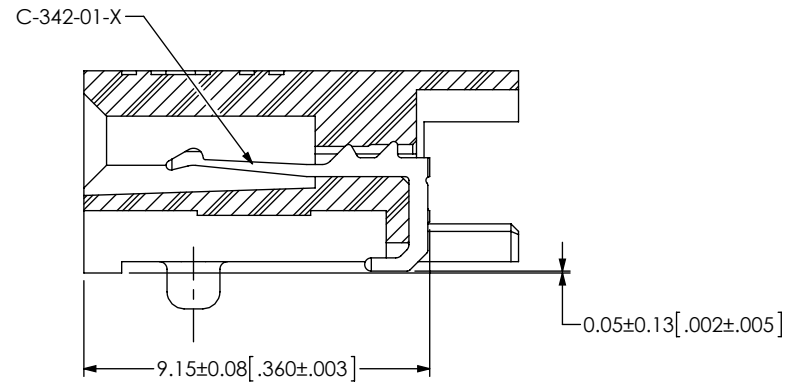


SECTION "B"-"B"
SCALE 5:1

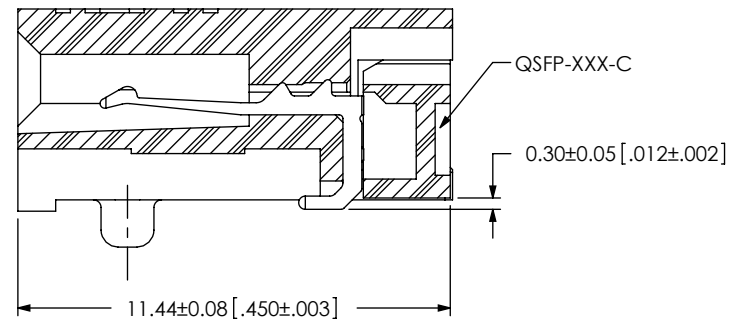
(SAME AS SECTION "A"-"A", EXCEPT AS SHOWN)



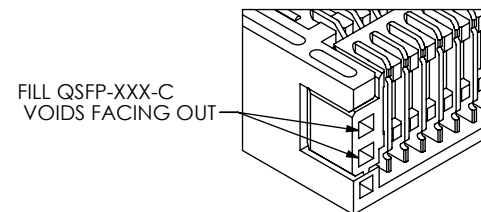
PACKAGING VIEW



IN-PROCESS 1
(FILL QSFP-XXX-C)



IN-PROCESS 2
(FILL QSFP-XXX-C)



PROPRIETARY NOTE

THIS DOCUMENT CONTAINS INFORMATION CONFIDENTIAL AND PROPRIETARY TO SAMTEC, INC. AND SHALL NOT BE REPRODUCED OR TRANSFERRED TO OTHER DOCUMENTS OR DISCLOSED TO OTHERS OR USED FOR ANY PURPOSE OTHER THAN THAT WHICH IT WAS OBTAINED WITHOUT THE EXPRESSED WRITTEN CONSENT OF SAMTEC, INC.

DO NOT SCALE DRAWING

SHEET SCALE: 4:1

samtec

520 PARK EAST BLVD, NEW ALBANY, IN 47150
PHONE: 812-944-6733 FAX: 812-948-5047
e-Mail info@SAMTEC.com code 55322

DESCRIPTION: QSFP8 ASM

DWG. NO. QSFP8-XXX-01-X-D-RA1-XX

BY: ROY LUO 7/20/2010 SHEET 2 OF 2