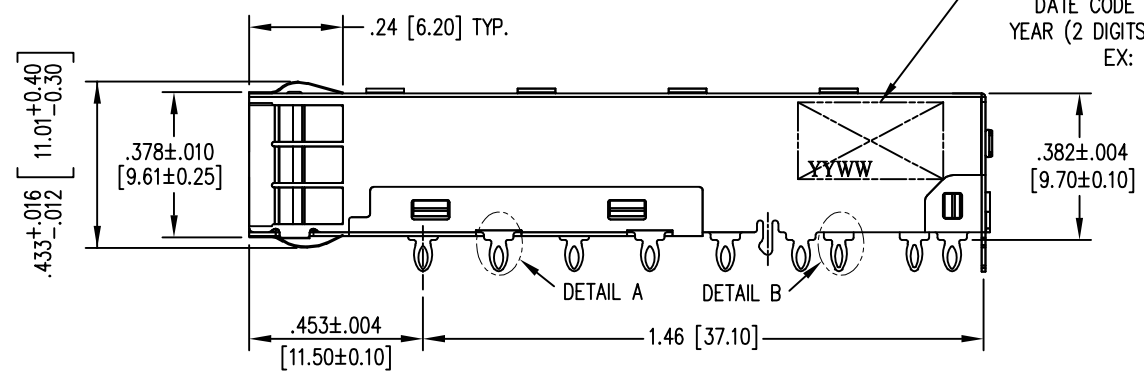
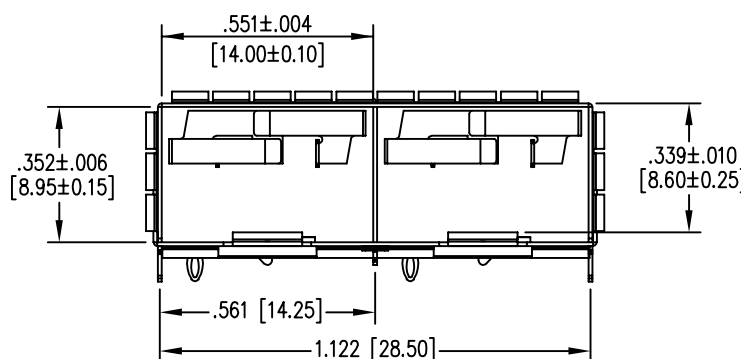
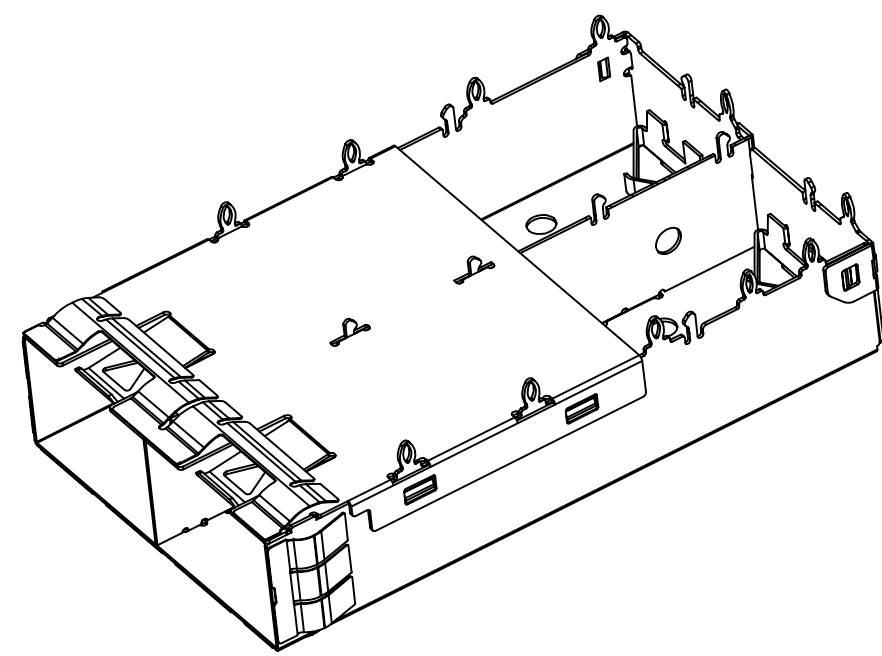
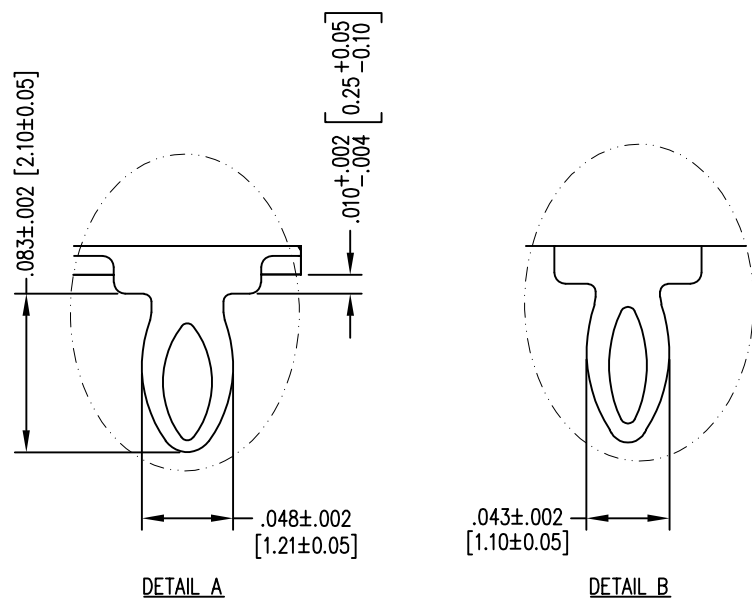
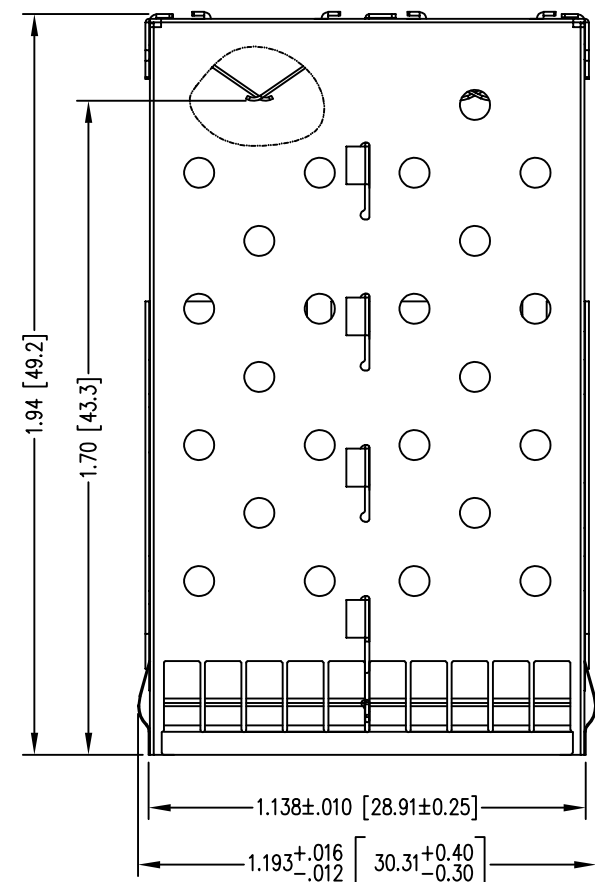


DATE	REV	ECN	APP'D. BY
8-11-17	A3	11061	TRM
8-16-17	A4	11066	TRM



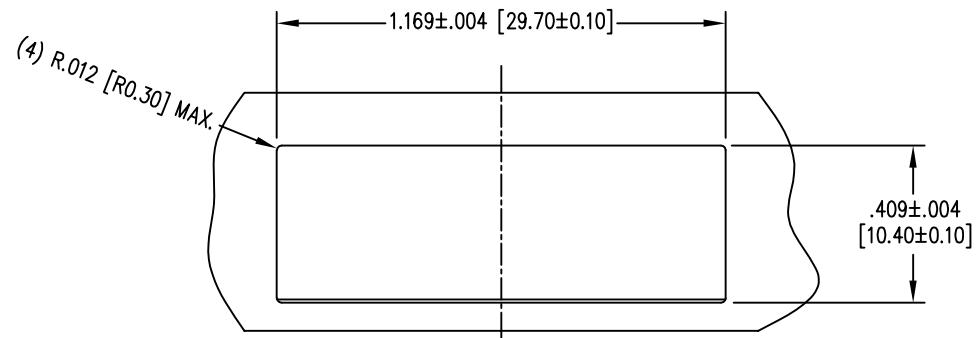
LOGO, PART NUMBER AND DATE CODE IN THIS LOCATION
 DATE CODE IS YEAR/WEEK
 YEAR (2 DIGITS) & WEEK (2 DIGITS)
 EX: 1730

- NOTES:
- MATERIALS:
 CAGE: COPPER ALLOY
 EMI SPRINGS: COPPER ALLOY
 - PLATING:
 CAGE: NICKEL
 EMI SPRINGS: NICKEL
 - TEMPERATURE:
 OPERATIONAL: -40°C~+85°C
 STORAGE: -55°C~+105°C
 - FOR PRODUCT SPECIFICATIONS SEE PR043-01.
 - MATES WITH SFP MSA COMPLIANT TRANSCEIVERS.

SS-79100-005
PART NUMBER

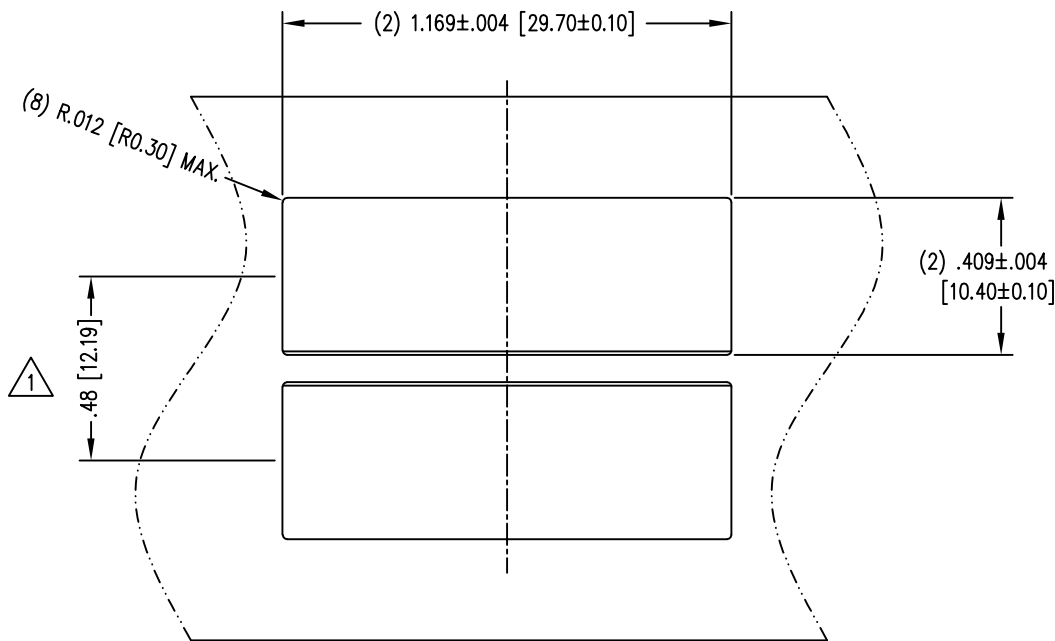


THIRD ANGLE PROJECTION	 stewart CONNECTOR a bel group	1118 Susquehanna Trail South Glen Rock, PA 17327-9199 (717) 235-7512 http://www.stewartconnector.com	
DRAWING IS SUBJECT TO CHANGE WITHOUT NOTICE UNLESS OTHERWISE SPECIFIED DIMENSIONS INCHES [METRIC] TOLERANCES ARE: ANGLES ± 2° 1 PLC. DEC. ±.010" [±0.25] 2 PLC. DEC. ±.005" [±0.13] 3 PLC. DEC. ±.004" [±0.10] DO NOT SCALE DRAWING		TITLE: SFP+ 1X2 CAGE WITH EMI CLIP, PRESS FIT THIS DRAWING AND THE SUBJECT MATTER SHOWN THEREON ARE CONFIDENTIAL AND THE PROPRIETARY PROPERTY OF STEWART CONNECTOR AND SHALL NOT BE REPRODUCED, COPIED, OR USED IN ANY MANNER WITHOUT PRIOR WRITTEN CONSENT OF STEWART CONNECTOR. ONE OR MORE U.S. PATENTS MAY APPLY TO THIS PRODUCT. FOR DETAILS, PLEASE VISIT: HTTP://BELFUSE.COM/STEWART/STEWART_PATENTS/	
SHEET NO. 1 OF 3	DRN BY: TRM	DATE: 6-7-17	
	APPD BY: DHG	DATE: 6-30-17	
	DWG NO. CT790005	REV. A4	



SUGGESTED PANEL OPENING SINGLE SIDED APPLICATIONS

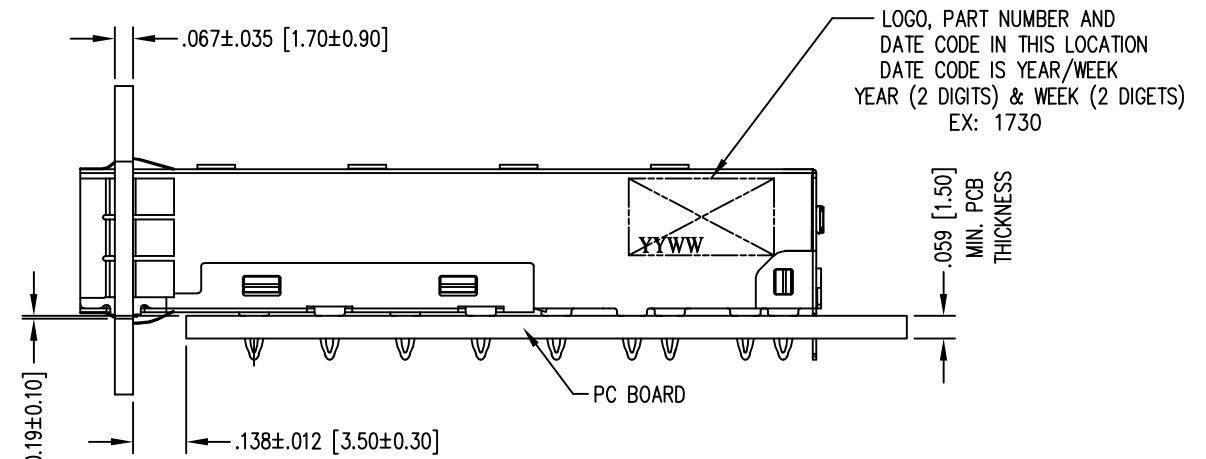
THE SUGGESTED PANEL OPENING IS INTENDED TO GIVE USERS THE ABILITY TO HAVE REASONABLE CAGE/PANEL CLEARANCES, YET MAINTAIN GROUNDING CAPABILITY. THESE VARIABLES CAN BE ADJUSTED IN EITHER DIRECTION BUT MAY CARRY SOME CONSEQUENCES IN THE FORM OF LOWER MATING FORCES OR TIGHTER ASSEMBLY TOLERANCES.



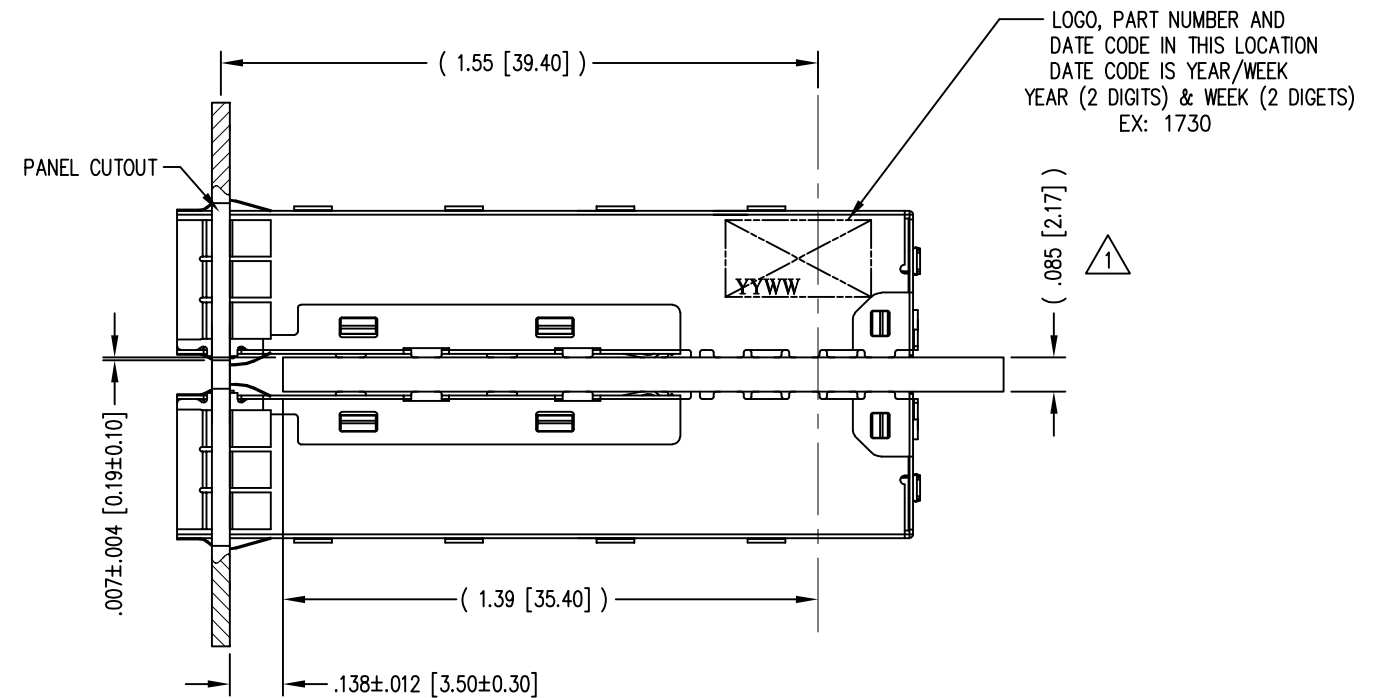
SUGGESTED PANEL OPENINGS DOUBLE SIDED APPLICATIONS

THE SUGGESTED PANEL OPENING IS INTENDED TO GIVE USERS THE ABILITY TO HAVE REASONABLE CAGE/PANEL CLEARANCES, YET MAINTAIN GROUNDING CAPABILITY. THESE VARIABLES CAN BE ADJUSTED IN EITHER DIRECTION BUT MAY CARRY SOME CONSEQUENCES IN THE FORM OF LOWER MATING FORCES OR TIGHTER ASSEMBLY TOLERANCES.

1 PCB THICKNESS WILL VARY WITH ADJUSTMENT IN THE CENTER TO CENTER SPACING OF THE PANEL OPENINGS

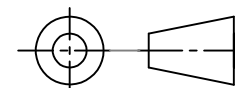


MOUNTED ON PC BOARD SHOWN THRU RECOMMENDED PANEL



MOUNTED BELLY TO BELLY ON PC BOARD SHOWN THRU RECOMMENDED PANEL

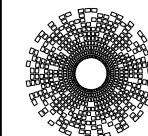
THIRD ANGLE PROJECTION



DRAWING IS SUBJECT TO CHANGE WITHOUT NOTICE

UNLESS OTHERWISE SPECIFIED DIMENSIONS INCHES [METRIC] TOLERANCES ARE: ANGLES ± 2° 1 PLC. DEC. ±.010" [±0.25] 2 PLC. DEC. ±.005" [±0.13] 3 PLC. DEC. ±.004" [±0.10] DO NOT SCALE DRAWING

SHEET NO. 2 OF 3



stewart CONNECTOR a bel group

11118 Susquehanna Trail South Glen Rock, PA 17327-9199 (717) 235-7512

http://www.stewartconnector.com

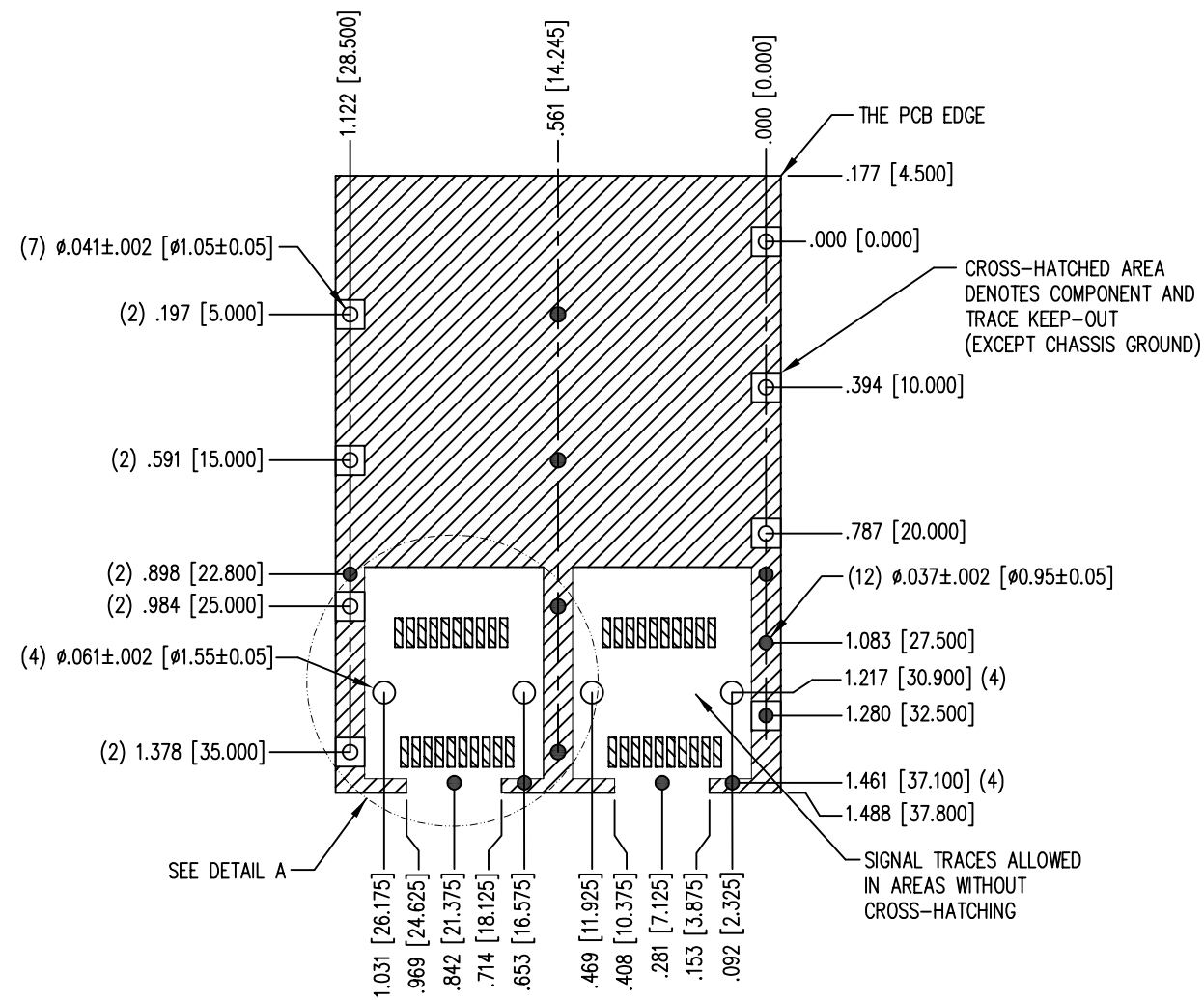
TITLE: SFP+ 1X2 CAGE WITH EMI CLIP, PRESS FIT

THIS DRAWING AND THE SUBJECT MATTER SHOWN THEREON ARE CONFIDENTIAL AND THE PROPRIETARY PROPERTY OF STEWART CONNECTOR AND SHALL NOT BE REPRODUCED, COPIED, OR USED IN ANY MANNER WITHOUT PRIOR WRITTEN CONSENT OF STEWART CONNECTOR. ONE OR MORE U.S. PATENTS MAY APPLY TO THIS PRODUCT. FOR DETAILS, PLEASE VISIT: HTTP://BELFUSE.COM/STEWART/STEWART_PATENTS/

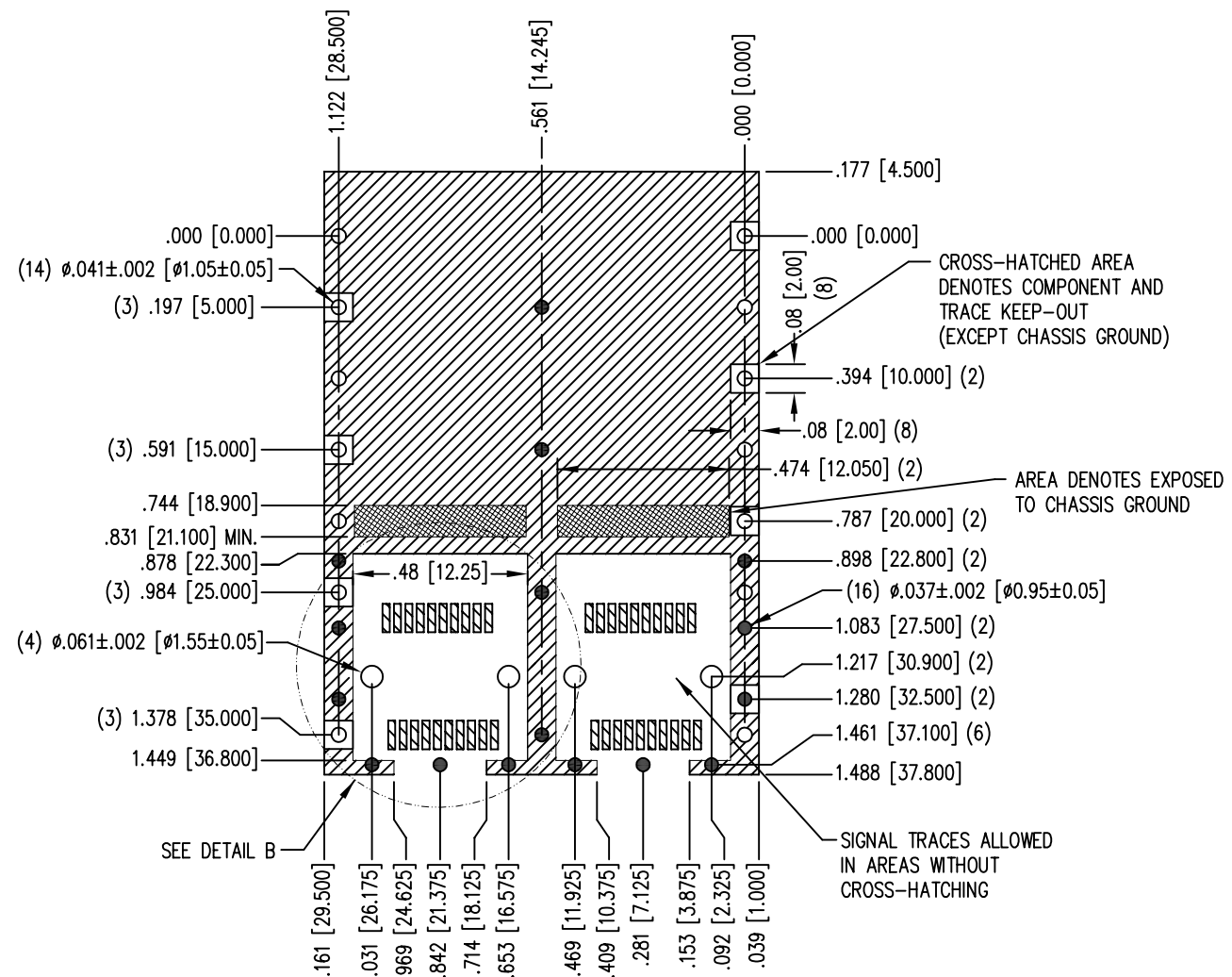
DRN BY:	TRM	DATE	6-7-17
APPD BY:	DHG	DATE	6-30-17
DWG NO.	CT790005	REV.	A4

B

B



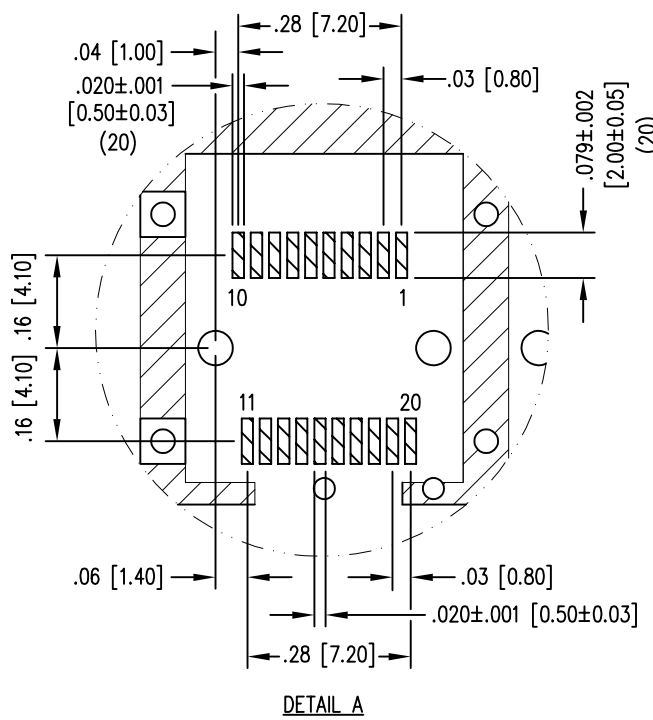
PCB LAYOUT (TOP VIEW)
PCB TOLERANCES: ±.002 [±0.05]



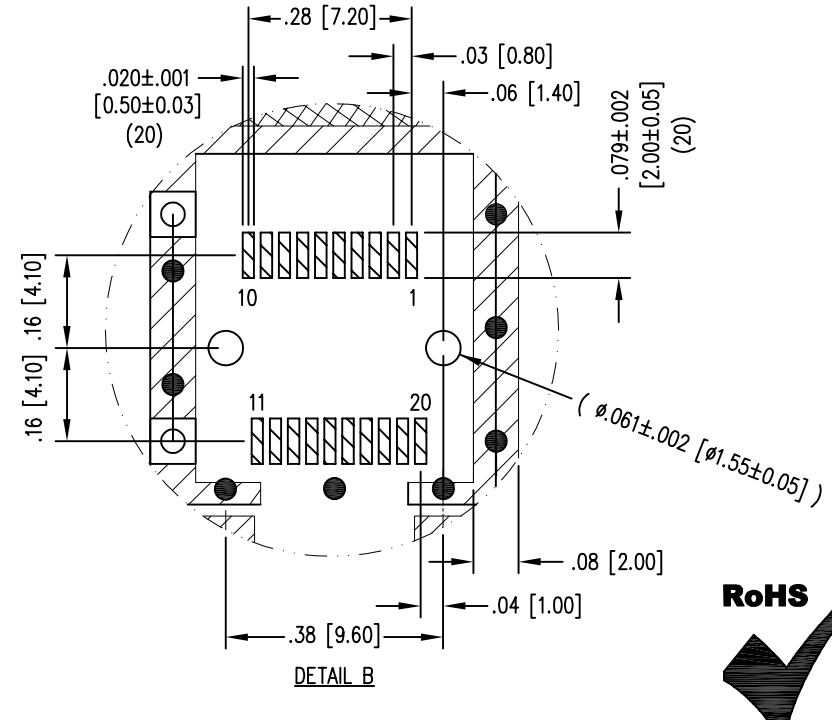
RECOMMENDED PCB CONFIGURATION WITH KEEP-OUT AREAS
BELLY TO BELLY APPLICATIONS
PCB TOLERANCES: ±.002 [±0.05]

A

A



DETAIL A



DETAIL B



THIRD ANGLE PROJECTION
DRAWING IS SUBJECT TO CHANGE WITHOUT NOTICE
UNLESS OTHERWISE SPECIFIED DIMENSIONS INCHES [METRIC]
TOLERANCES ARE:
ANGLES ± 2°
1 PLC. DEC. ±.010" [±0.25]
2 PLC. DEC. ±.005" [±0.13]
3 PLC. DEC. ±.004" [±0.10]
DO NOT SCALE DRAWING
SHEET NO. 3 OF 3



1118 Susquehanna Trail South
Glen Rock, PA 17327-9199
(717) 235-7512
<http://www.stewartconnector.com>

TITLE: SFP+ 1X2 CAGE WITH EMI CLIP, PRESS FIT

THIS DRAWING AND THE SUBJECT MATTER SHOWN THEREON ARE CONFIDENTIAL AND THE PROPRIETARY PROPERTY OF STEWART CONNECTOR AND SHALL NOT BE REPRODUCED, COPIED, OR USED IN ANY MANNER WITHOUT PRIOR WRITTEN CONSENT OF STEWART CONNECTOR. ONE OR MORE U.S. PATENTS MAY APPLY TO THIS PRODUCT. FOR DETAILS, PLEASE VISIT: [HTTP://BELFUSE.COM/STEWART/STEWART_PATENTS/](http://BELFUSE.COM/STEWART/STEWART_PATENTS/)

DRN BY: TRM	DATE: 6-7-17
APPD BY: DHG	DATE: 6-30-17
DWG NO. CT790005	REV. A4