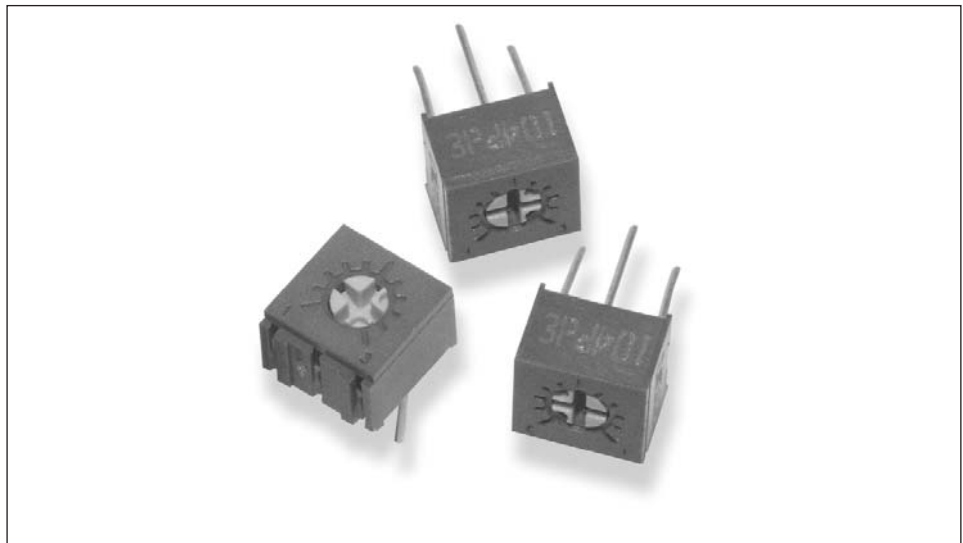


Type 4275 Series

Key Features

- High Resolution Stable Cermet Element
- Only 6mm Square
- Vertical or Horizontal Adjustment
- 0.5 Watt Rating at 70°C
- Choice of Pin Configuration
- Rugged Construction
- Flame Retardant
- Supplied in Firm Plastic Tubes



A tiny, fully sealed, professional trimmer offered with a range of pin configurations. The 4275 is available with top or side adjustment. Standard packaging is in tough plastic tubes. The cermet element is very stable and has good setability.

A high quality modern trimmer at an attractive price. The product is designed for use in small size professional equipments and boasts performance well beyond its price.

Characteristics - Electrical

Resistance Range:	100R to 2M
Resistance Values:	1, 2 and 5 in each decade
Resistance Tolerance:	10%
End Resistance:	10 ohms or 1% whichever is greater
Power Rating:	0.5W at 70°C derating to zero at 125°C
Isolation Voltage:	300 V dc or ac peak
Limiting Element Voltage:	220 V dc or ac RMS, maximum
Insulation Resistance:	1000 M at 500 V dc, minimum
Rotational Noise (CRV):	3 Ohms or 2%, whichever is greater
Electrical Adjustment:	1 turn - 240° Nominal
Temperature Coefficient:	± 250ppm/°C

Characteristics - Mechanical

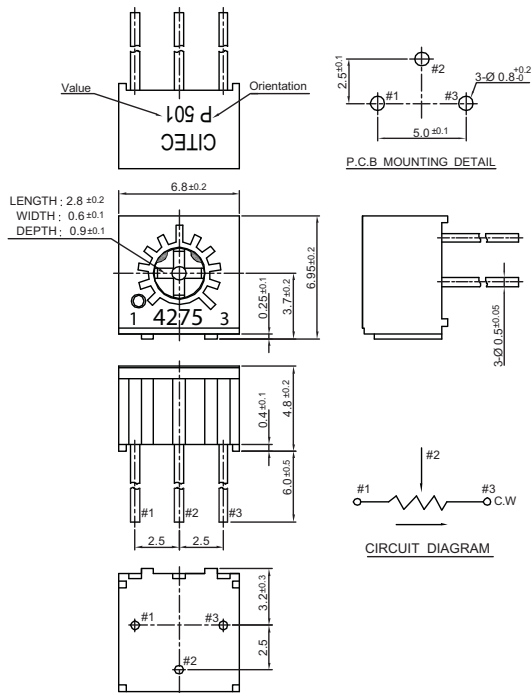
End Stop:	40 mNm, minimum
Starting Torque:	30 mNm, maximum
Mechanical Adjustment:	1 turn - 260° Nominal
Weight:	0.6 gm Nominal

Characteristics - Environmental

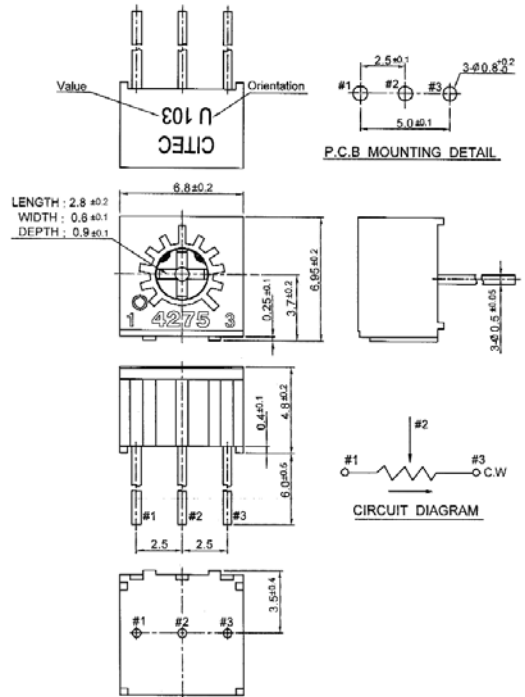
Temperature Range:	-55°C to +125°C
Temperature Storage:	250 hrs. at 125°C
Thermal Shock:	5 cycles -55°C to 125°C
Bump Severity:	4000 bumps 40G
Vibration Severity:	10 - 500 Hz, 30G
Rotational Life:	200 cycles, minimum
Load Life at 70°C:	ΔR <3% after 1000 hours.
Sealing:	Sealed for board washing
Soldering Heat:	5 seconds at 350°C
Climatic Category:	55/125/21

Type 4275 Series

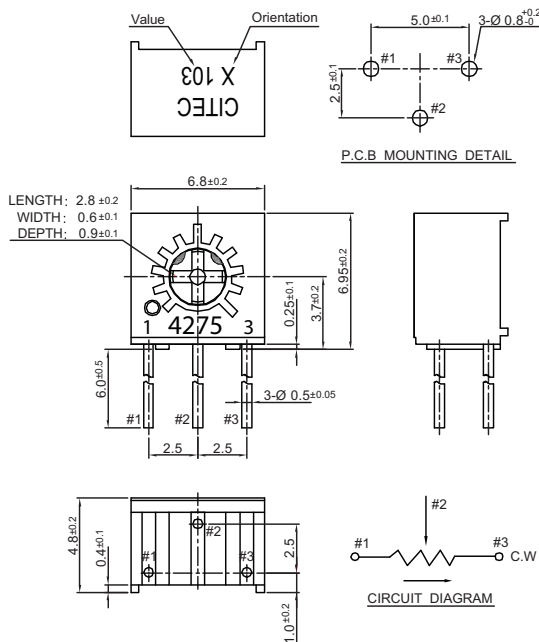
Dimensions 4275P



Dimensions 4275U

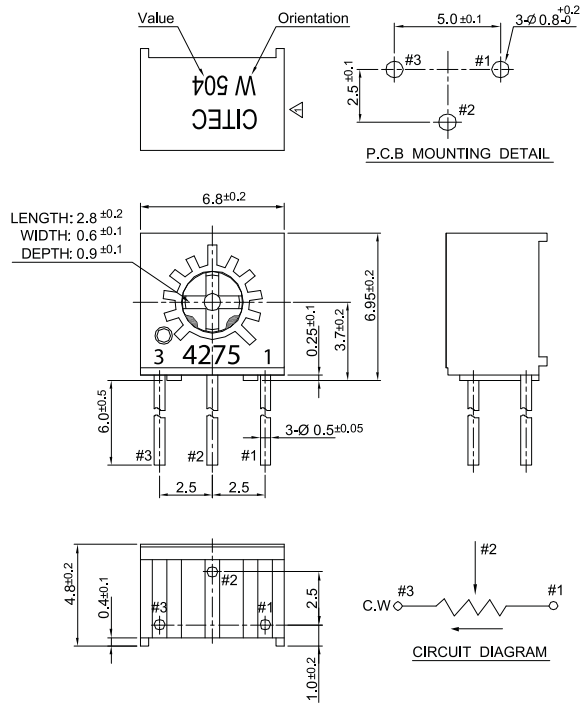


4275X



Type 4275 Series

Dimensions 4275W



How to Order

4275	P	104	K
Common Part	Pin/Adjustment Style	Resistance Value	Tolerance
4275	P - Top Adjust X - Side Adjust U - Top Adjust Inline W - Side Adjust Rev.	The first two digits are significant figures of resistance value and the third denotes the number of zeros following. e.g. 100R: 101 1K0: 102 10K: 103 100K: 104	K - 10 %

TE Connectivity, TE connectivity (logo) and TE (logo) are trademarks.
Other logos, product and Company names mentioned herein may be trademarks of their respective owners.

While TE has made every reasonable effort to ensure the accuracy of the information in this datasheet, TE does not guarantee that it is error-free, nor does TE make any other representation, warranty or guarantee that the information is accurate, correct, reliable or current. TE reserves the right to make any adjustments to the information contained herein at any time without notice. TE expressly disclaims all implied warranties regarding the information contained herein, including, but not limited to, any implied warranties of merchantability or fitness for a particular purpose. The dimensions in this datasheet are for reference purposes only and are subject to change without notice. Specifications are subject to change without notice. Consult TE for the latest dimensions and design specifications.