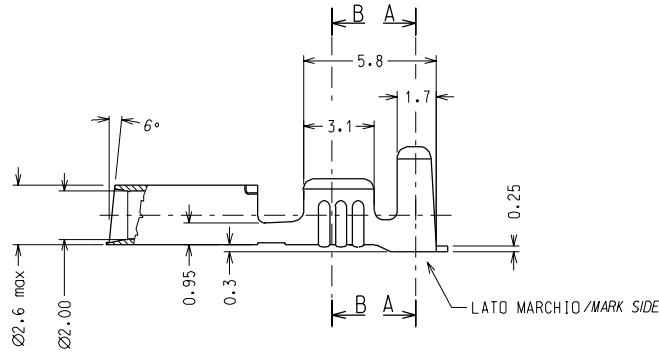
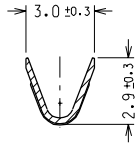
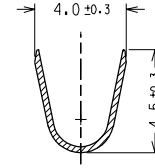


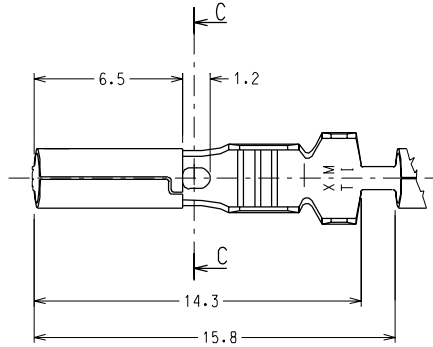
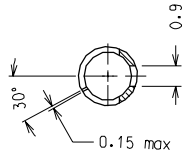
Sec. B-B



Sec. A-A



Sec. C-C



CODICE P/N	MATERIALE MATERIAL	FINITURA PLATING
94537-0100	OTTONE BRASS	GREGGIO/PLAN
94537-0101		PRESTAGNATO/PRETINNED

CONFEZIONE STANDARD:  
36000 pz. in 3 bobine x scatola

STANDARD PACKING QUANTITY:  
36000 pcs. in 3 reels for box

REFERENCE SPEC.: SIGNAL LUX PR 222-04-17

EC NO. Z8-111	QUALITY SYMBOLS	GENERAL TOLERANCES: (UNLESS SPECIFIED)		SCALE 5:1	DESIGN UNITS <input checked="" type="checkbox"/> mm <input type="checkbox"/> INCH	FIRST ANGLE PROJECTION <input checked="" type="checkbox"/> <input type="checkbox"/>	DIMENSIONS:			SHT	REV
		mm	INCH				<input type="checkbox"/> mm <input type="checkbox"/> INCH	<input type="checkbox"/> mm <input type="checkbox"/> INCH	<input checked="" type="checkbox"/> mm ONLY		
DRWNL-SANTESSO 03-05-98	MAJOR M =	4 PLACES	±0.	±.	DRAWN BY & DATE	TITLE: TERMINALE CILINDRICO FEMMINA Ø 2 CYLINDRICAL FEMALE TERMINAL Ø 2					
CHK: S.SORATO 03-05-98	SIGNIF. S =	3 PLACES	±0.	±.	L.SANTESSO 05-06-97						
APPR: S.BARBIERI 03-05-98	CRITICAL C =	2 PLACES	±0,1	±.	CHECKED BY & DATE	SEZ. FILO/WIRE SECT.= 0.5-1.5 mm <sup>2</sup> ØISOLANTE/INSUL.= 2.2-3.35 mm					
		1 PLACE	±0,2	±.	S.SORATO 05-06-97						
		ANGULAR: ± 2°		APPROVED BY & DATE	MATERIAL NO.		DRAWING NO.		SHEET NO.		
		DRAFT WHERE APPLICABLE MUST REMAIN WITHIN DIMENSIONS		S.BARBIERI 05-06-97	CAD FILENAME		SEE TABLE		1/1		
				94537001.DGN	THIS DRAWING CONTAINS INFORMATION THAT IS PROPRIETARY TO MOLEX INCORPORATED AND SHOULD NOT BE USED WITHOUT WRITTEN PERMISSION.						
					SIZE A3						