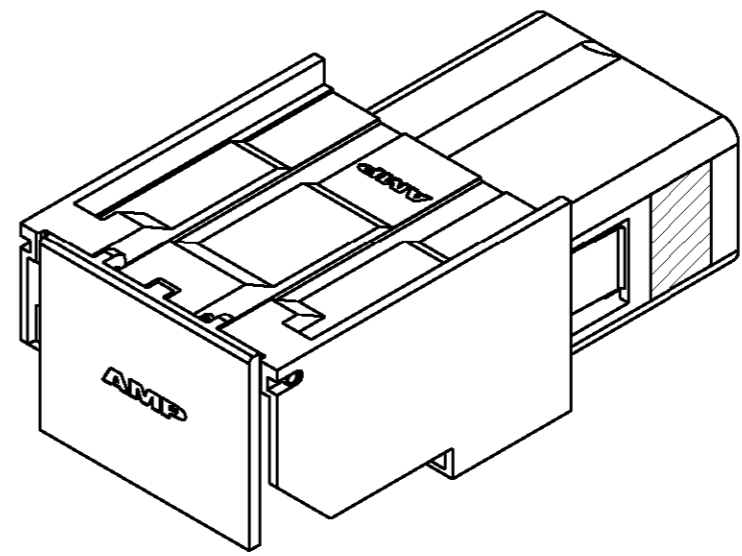
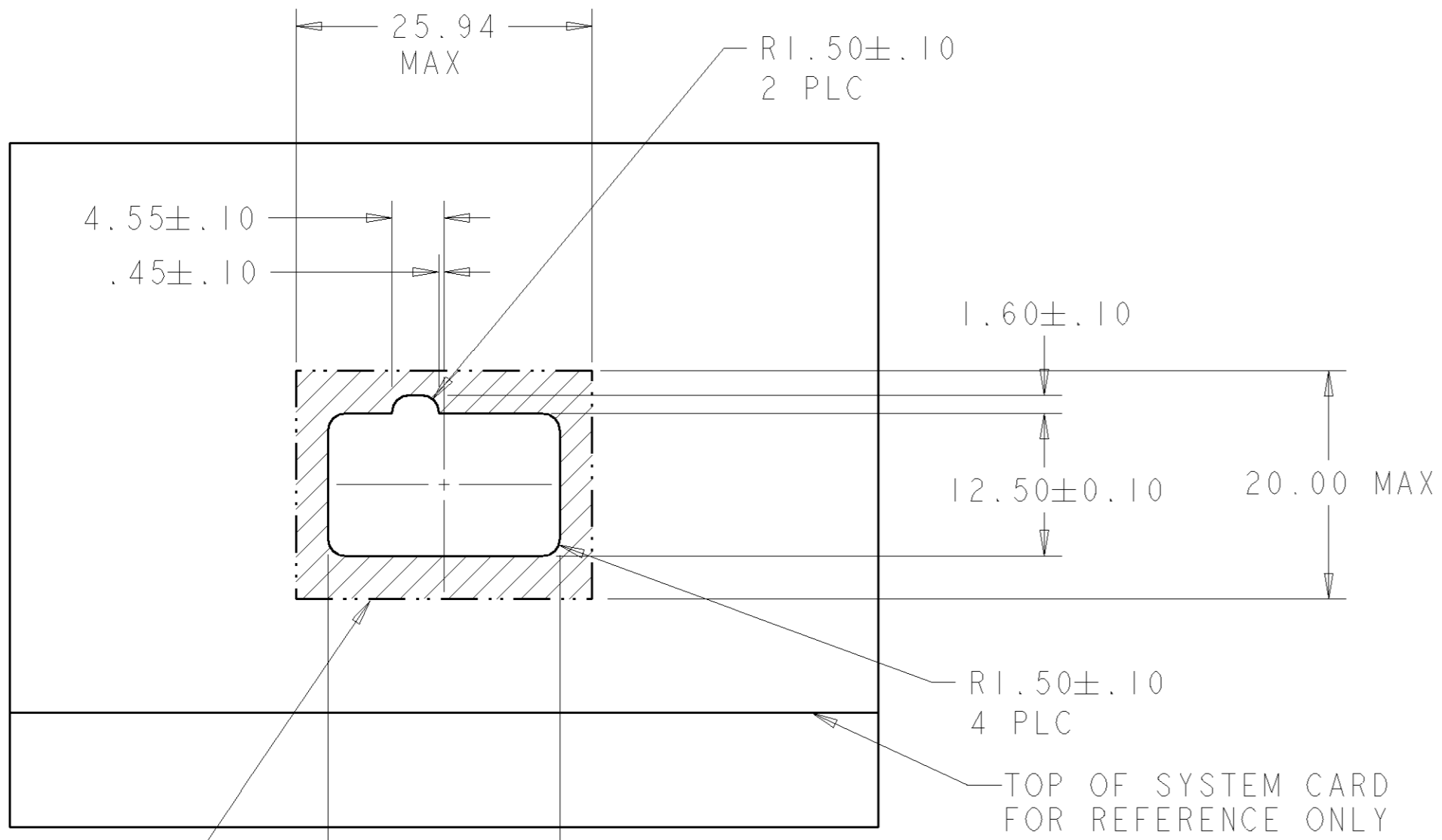
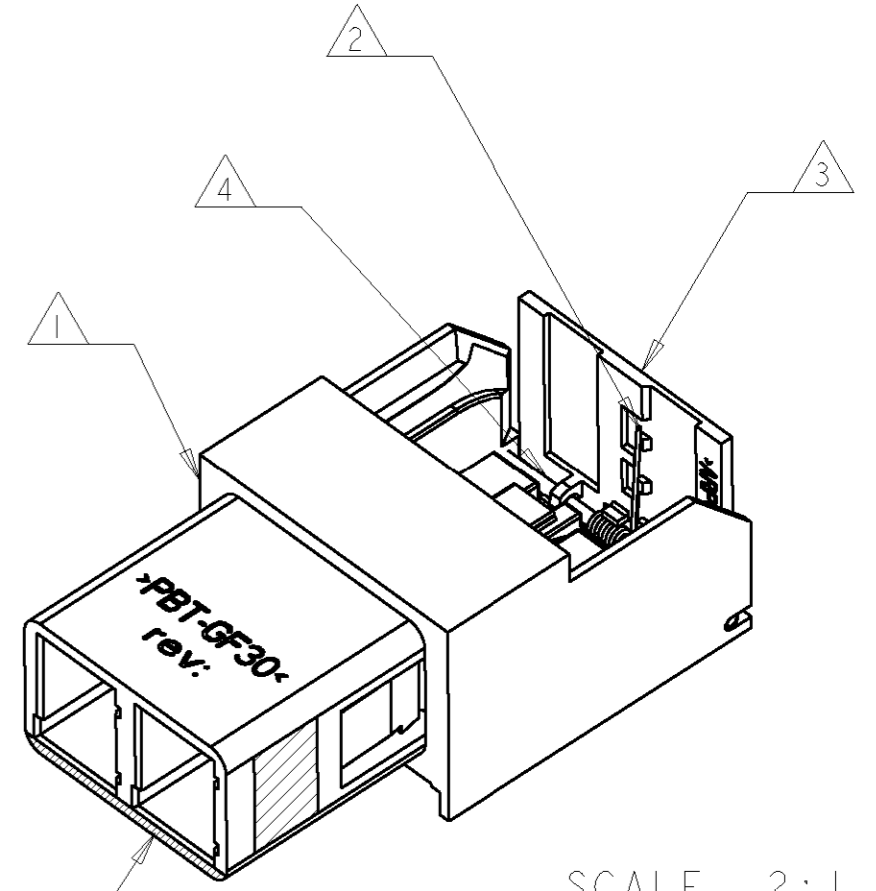


THIS DRAWING IS UNPUBLISHED. RELEASED FOR PUBLICATION 20
 © COPYRIGHT 20 BY TYCO ELECTRONICS CORPORATION. ALL RIGHTS RESERVED.

LOC	DIST	REVISIONS			
P	LTR	DESCRIPTION	DATE	DWN	APVD
CE	16				
	A	DRAWN	16 JAN 06	EH	AP



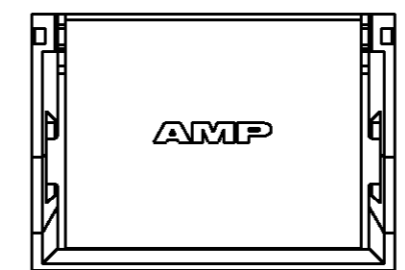
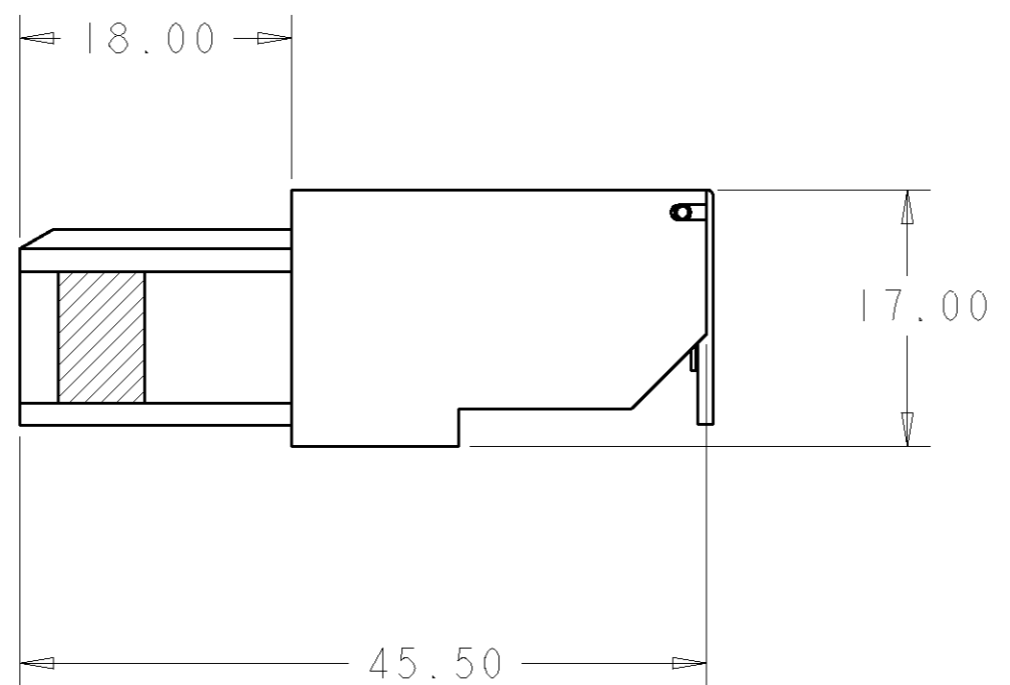
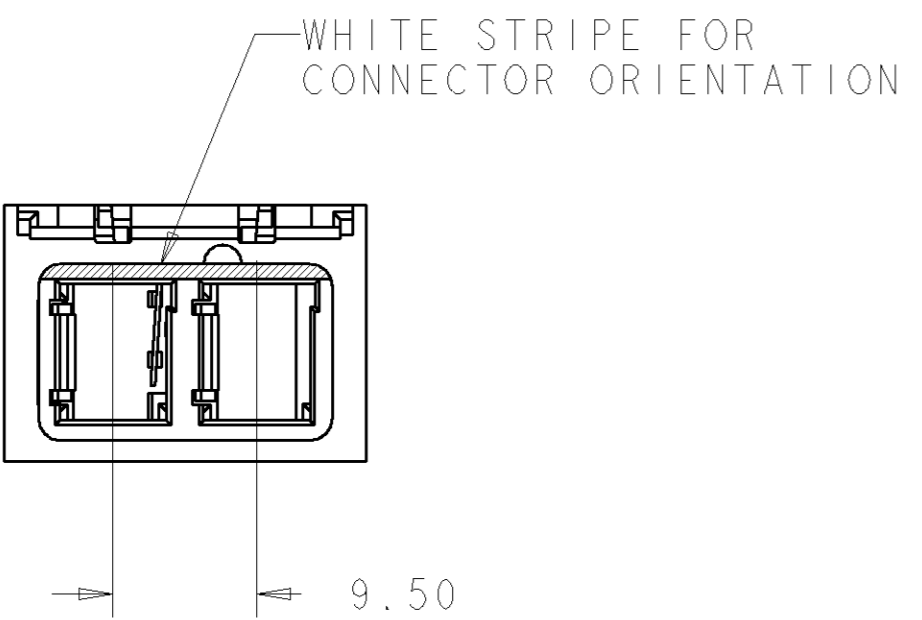
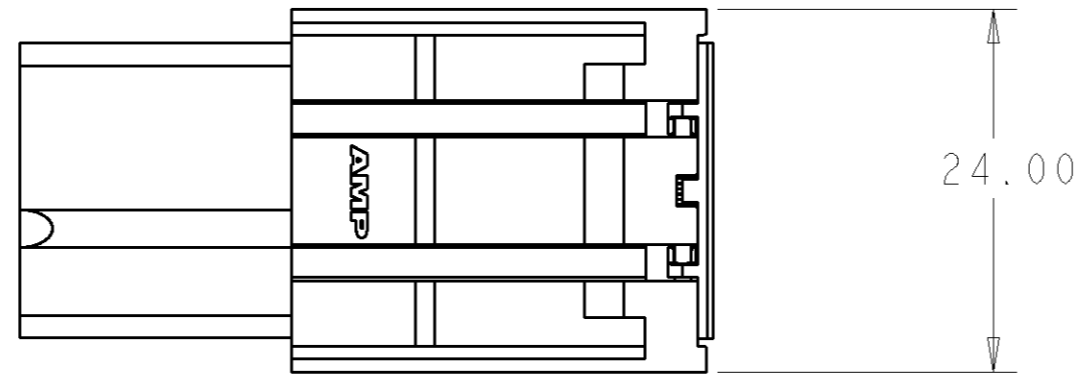
SCALE 2:1



SCALE 2:1

WHITE STRIPE FOR CONNECTOR ORIENTATION

20.30 ±0.10
 MAX AREA FOR RETENTION CLIP
 SUGGESTED PANEL CUT-OUT
 LOOKING FROM SYSTEM CARD SIDE
 SCALE 2:1



NOTES:

- ① HOUSING MATERIAL: GLASS FILLED THERMOPLASTIC.
- ② SHUTTER SPRING MATERIAL: STAINLESS STEEL.
- ③ SHUTTER MATERIAL: THERMOPLASTIC
- ④ PIN MATERIAL: SST
- 5 HOUSING DESIGNED TO BE INSTALLED WITH RETENTION CLIP P/N 1278530-2, USING SEATING TOOL, P/N 1278945-4, AND MOTHERBOARD SUPPORT, P/N 1278944-2. REFER TO INSTRUCTION SHEET 408-8332.

6374493-1
 PART NUMBER

THIS DRAWING IS A CONTROLLED DOCUMENT FOR TYCO ELECTRONICS CORPORATION. IT IS SUBJECT TO CHANGE AND THE CONTROLLING ENGINEERING ORGANIZATION SHOULD BE CONTACTED FOR THE LATEST REVISION.		DWN E HALEY 16 JAN 06	Tyco Electronics Harrisburg, PA 17105-3608	
DIMENSIONS: mm		CHK A PLOTTS 16 JAN 06	NAME BACKPLANE HOUSING ASSEMBLY, LIGHTRAY MPX, 1X2 VERTICAL W/SHUTTER	
TOLERANCES UNLESS OTHERWISE SPECIFIED: 0 PLC ± 1 PLC ± 2 PLC ±0.13 3 PLC ± 4 PLC ± ANGLES ± FINISH		APVD A PLOTTS 16 JAN 06	PRODUCT SPEC - APPLICATION SPEC -	
MATERIAL		WEIGHT -	SIZE A200779	RESTRICTED TO -
CUSTOMER DRAWING		SCALE 2:1	DRAWING NO 6374493	SHEET 1 OF 1 REV A