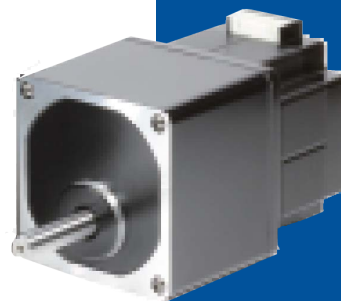
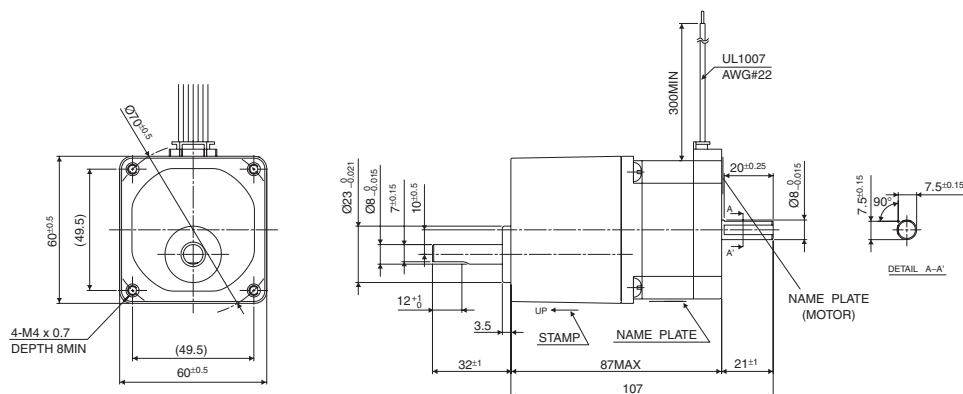


Outline

Gearbox Low Backlash



Hybrid

General Specifications

Temperature Rise: 80°C MAX
 Ambient Temperature Range: -10 °C ~ +50°C
 Insulation Resistance: 100MΩ MIN. DC500V
 Dielectric Strength: AC500V 1min
 Permissible Radial Load(at 10mm from shaft end): 98.1N (10kgf)
 Permissible Thrust Load: 29.4N (3kgf)

PIN NO. vs. PHASE

PHASE	A	A COM	\bar{A}	B	B COM	\bar{B}
PIN NO.	1	2	3	4	5	6

Specifications

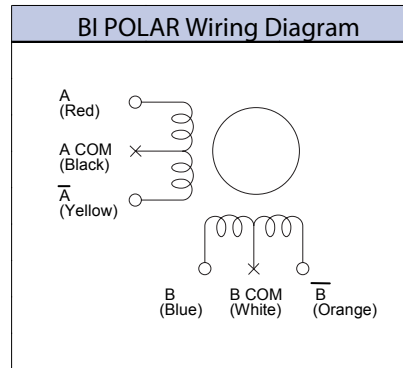
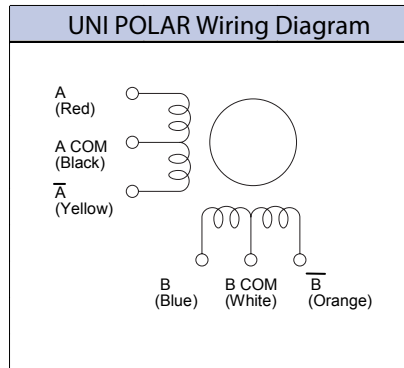
Model	Rated Current (A)	Resistance (Ohms)	Step Angle (deg)	Gear Ratio (1 : X)	Permissible Torque (Nm (kgf · cm))	Permissible Speed Range (r/min)	Backlash (min(deg))	Mass (g)
GT0036-23M201	0.9	5.8	0.5	1 : 3.6	1.25 (12.7)	0 ~ 500	35 (0.584)	820
GT0072-23M201	0.9	5.8	0.25	1 : 7.2	2.5 (25.5)	0 ~ 250	15 (0.25)	820
GT0100-23M201	0.9	5.8	0.18	1 : 10	3.0 (30.6)	0 ~ 180	15 (0.25)	820
GT0200-23M201	0.9	5.8	0.09	1 : 20	3.5 (35.7)	0 ~ 90	10 (0.167)	850
GT0300-23M201	0.9	5.8	0.06	1 : 30	4.0 (40.8)	0 ~ 60	10 (0.167)	850

*Drive Sequence: Unipolar

*Leadwires will be supplied with the motor

*Direction of rotation of the motor and that of the gear output shaft are the same for the gear ratios 1:3.6, 1:7.2 and 1:10. It is the opposite for 1:20 and 1:30 gear ratio

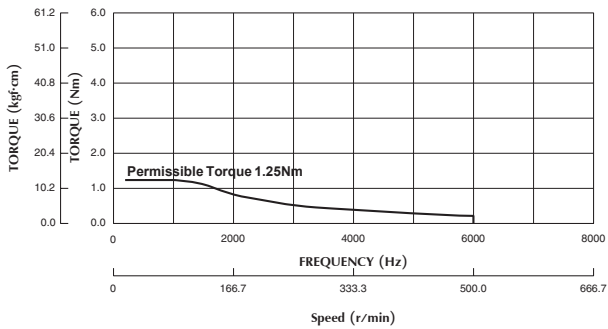
Specifications



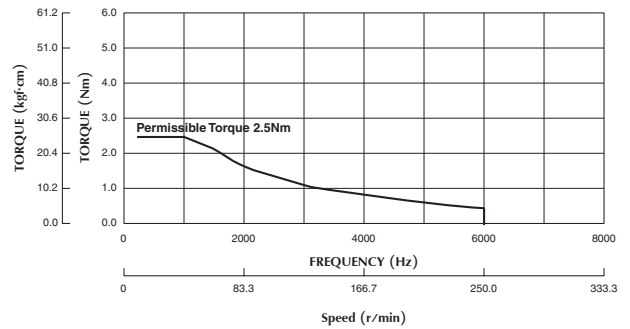
*Do not connect A COM and B COM. Please insulate individually.
 *Apply 70% of Unipolar rated current.

Torque/Speed Characteristics

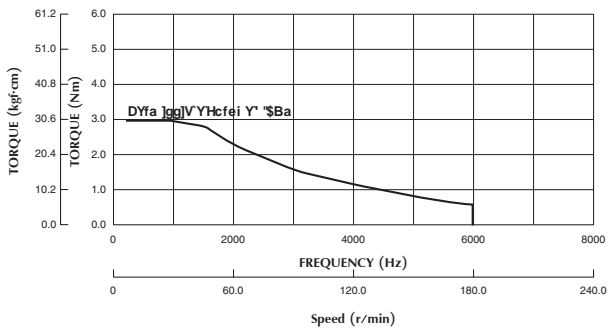
Model No.: GT0036-23M201
 Supply Voltage: 24 V (DC)
 Current: 0.9A/Phase
 Step Angle: 0.5°/step



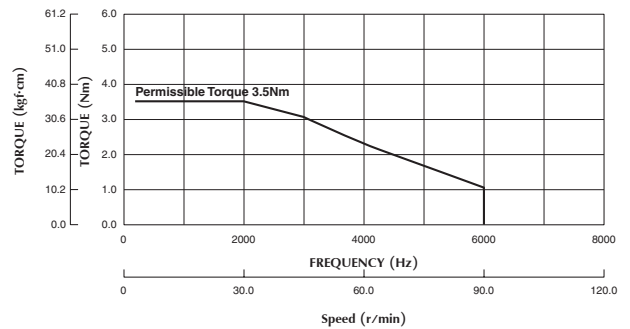
Model No.: GT0072-23M201
 Supply Voltage: 24 V (DC)
 Current: 0.9A/Phase
 Step Angle: 0.25°/step



Model No.: GT0100-23M201
 Supply Voltage: 24 V (DC)
 Current: 0.9A/Phase
 Step Angle: 0.18°/step



Model No.: GT0200-23M201
 Supply Voltage: 24 V (DC)
 Current: 0.9A/Phase
 Step Angle: 0.09°/step



Torque/Speed Characteristics

Model No.: GT0300-23M201
Supply Voltage: 24 V (DC)
Current: 0.9A/Phase
Step Angle: 0.06°/step

