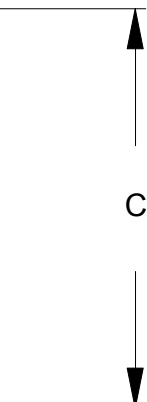
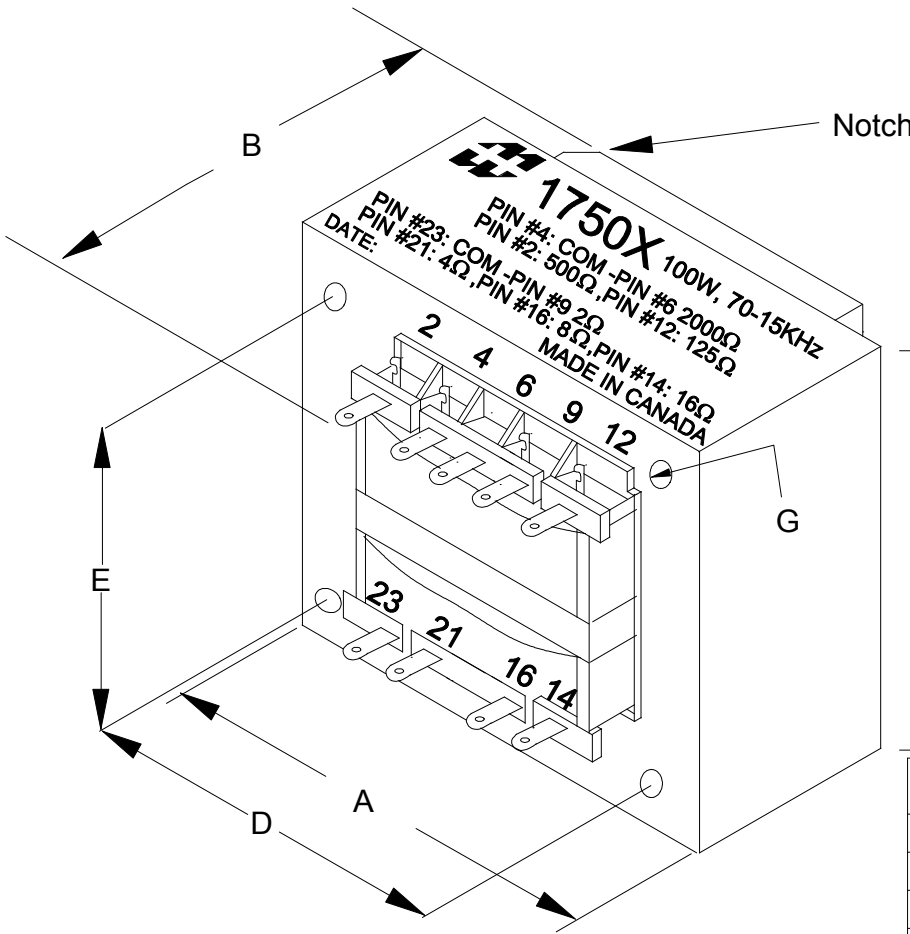
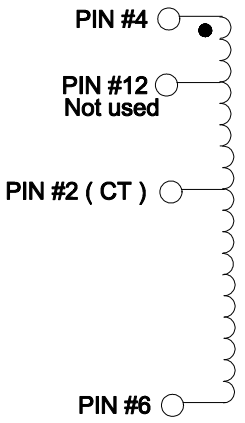


1750X

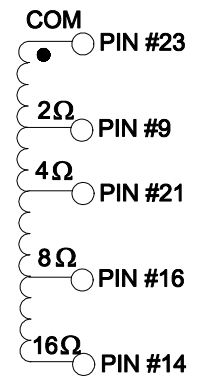


| DIMENSIONS: | |
|-------------|---------------|
| A | 3.786" ±0.063 |
| B | 4.049" ±0.125 |
| C | 3.175" ±0.063 |
| D | 3.148" ±0.063 |
| E | 2.522" ±0.063 |
| G | 0.215" ±0.010 |

PRIMARY
2000 Ω CT (Term 4-6)



SECONDARY



ELECTRICAL DATA:

| | |
|----------------|---|
| Turns ratio: | 10.14 : 1 |
| Inductance | @240V,50Hz =>50.93H (Open circuit) |
| DCR | @ 20C, PIN #4 - PIN #12 =5.03 Ω ±20% |
| | @ 20C, PIN #2 - PIN #6 =12.30 Ω ±20% |
| | @ 20C, PIN #2 - PIN #12 =7.16 Ω ±20% |
| | @ 20C, PIN #23 - PIN #9 =0.05 Ω ±20% |
| | @ 20C, PIN #9 - PIN #21 =0.02 Ω ±20% |
| | @ 20C, PIN #21 - PIN #16 =0.03Ω ±20% |
| | @ 20C, PIN #16 - PIN #14 =0.05Ω ±20% |
| FREQ. RESP | @ 100W (447.2V), 50Hz - 12kHz, pin 4 - Pin 6 ±1db (1kHz Ref.) |
| Pri. Impedance | 2000 Ω CT (Term 4-6) Center tap Term 2 |
| Sec. Impedance | 2Ω(14V 7.07A)/ 4Ω(20V 5A)/ 8Ω(28.28V 3.536A) |
| Power | 100 WATTS |

**HAMMOND
ELECTRONICS**
52 RANKIN PLACE,
WATERLOO, ONTARIO, N2L 3Z5.
PHONE (519) 886-6181
FAX # (519) 886-9540

TITLE **OUTPUT TRANSFORMER**

| | | | | |
|----|----------|----------------------|----------------|-------------------|
| 1 | 07/28/11 | correct primary data | DH | DR BY IOAN POP |
| 0 | 05/11/09 | PRELIMINARY. | I.P. | DATE 05/11/09 |
| NO | DATE | REVISION | DIM IN(X)MM() | |

1750X