

**FEATURES**

- 50 to 1218 MHz Frequency Range
- +59 dBmV output power
- 25 dB Gain @ 1.218 GHz
- 1 dB tilt over bandwidth
- Single +24 V Supply
- Operating Current = 430 mA
- GaN Amplifier Technology
- Halogen Free/RoHS Compliant

**APPLICATIONS**

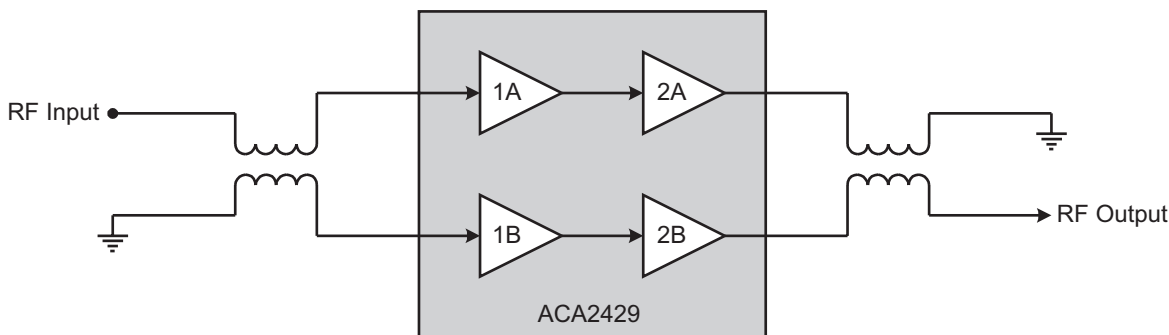
- Advanced high power, high frequency HFC transmission systems
- Output power doubler for Deep Fiber Node in CATV distribution
- CATV digital edge QAM output driver

**PRODUCT DESCRIPTION**

The ACA2429 is a highly linear, high output power integrated RF amplifier designed for CATV head ends and HFC distribution systems. The IC consists of two parallel amplifiers that are optimized for exceptionally low distortion, high output power, and high crash point in a thermally enhanced surface mount package. A GaN output stage is incorporated to minimize the operating (bias) current, thus making this an excellent choice for environmentally friendly "green" initiatives.



The ACA2429 provides high gain over the 50 to 1218 MHz CATV downstream band, and is cascaded between two transmission line baluns.



**Figure 1: Block Diagram**

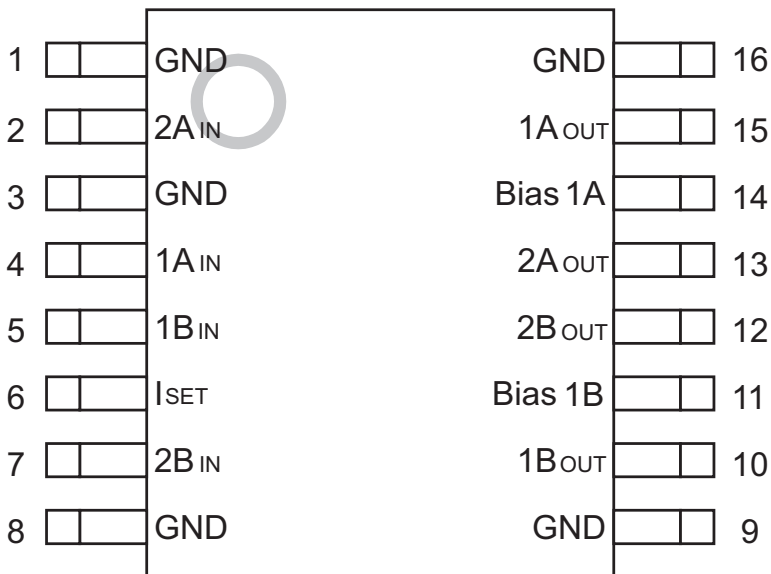


Figure 2: Pinout

Table 1: Pin Description

PIN	NAME	DESCRIPTION	PIN	NAME	DESCRIPTION
1	GND	Ground	9	GND	Ground
2	2A <sub>IN</sub>	Amplifier 2A Input	10	1B <sub>OUT</sub>	Amplifier 1B Output
3	GND	Ground	11	Bias 1B	Bias for 1B Amplifier
4	1A <sub>IN</sub>	Amplifier 1A Input	12	2B <sub>OUT</sub>	Amplifier 2B Output and Supply
5	1B <sub>IN</sub>	Amplifier 1B Input	13	2A <sub>OUT</sub>	Amplifier 2A Output and Supply
6	I <sub>SET</sub>	Current Adjust	14	Bias 1A	Bias for 1A Amplifier
7	2B <sub>IN</sub>	Amplifier 2B Input	15	1A <sub>OUT</sub>	Amplifier 1A Output
8	GND	Ground	16	GND	Ground

## ELECTRICAL CHARACTERISTICS

Table 2: Absolute Minimum and Maximum Ratings

PARAMETER	MIN	MAX	UNIT
Supply (pins 12, 13)	0	+28	V <sub>DC</sub>
Current Adjust (pin 6)	-	+4	V <sub>DC</sub>
RF Power at Inputs (pins 4, 5)	-	+75	dBmV
Case Operating Temperature Range (T <sub>c</sub> )	-40	+110	°C
Storage Temperature	-65	+150	°C
Soldering Temperature	-	+260	°C
Soldering Time	-	5.0	Sec

Stresses in excess of the absolute ratings may cause permanent damage. Functional operation is not implied under these conditions. Exposure to absolute ratings for extended periods of time may adversely affect reliability.

Notes:

- (1) Pins 2, 4, 5 and 7 should be AC-coupled. No external DC bias should be applied.
- (2) Pin 6 should be AC-grounded and/or pulled to ground through a resistor for current control.
- (3) Pins 10, 11, 14 and 15 should have no other external bias applied.

Table 3: Operating Ranges

PARAMETER	MIN	TYP	MAX	UNIT
RF Input/Output Frequency (f)	50	-	1218	MHz
Supply Voltage (V <sub>DD</sub> )	-	+24	-	V <sub>DC</sub>
Current Adjust (pin 15)	-	+1.5	-	V <sub>DC</sub>
Case Temperature (T <sub>c</sub> )	-40	-	+100	°C

The device may be operated safely over these conditions; however, parametric performance is guaranteed only over the conditions defined in the electrical specifications.

**Table 4: Electrical Specifications (See Notes 1, 3, & 4)**  
**(T<sub>A</sub> = +25 °C, V<sub>DD</sub> = +24 VDC, f = 50 to 1218 MHz, 75 Ω system)**

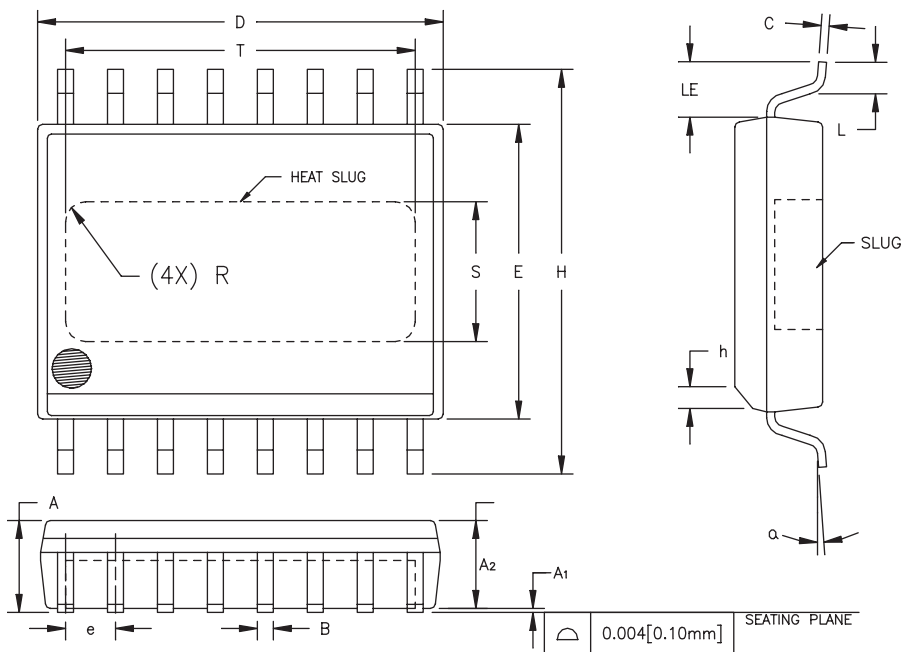
PARAMETER	MIN	TYP	MAX	UNIT	COMMENTS
Gain (1218 MHz)	24.5	25.25	26	dB	f = 1218 MHz, See note 3
Cable Equivalent Slope	-	1	-	dB	See note 3
Gain Flatness to 1218 MHz	-	± 0.2	-	dB	See notes 2 & 3
Noise Figure	-	5	-	dB	
CTB	-	-78	-74	dBc	See note 1
CSO	-	-66	-64	dBc	See note 1
CIN	-	-60	-56	dBc	See note 1
Input Return Loss	-	-20	-18	dB	See note 3
Output Return Loss	-	-20	-18	dB	See note 3
Thermal resistance (θ <sub>Jc</sub> )	-	2.7	3.3	°C/W	Junction to case slug
Supply Current	400	430	470	mA	

**Notes:**

- (1) Parts measured with 79 NTSC analog channels plus digital QAM channels to 1000 MHz, +58 dBmV output power and 15.5 dB tilt referenced to 1 GHz.
- (2) Peak deviation from a straight line between gain value at 50 MHz and 1218 MHz.
- (3) Measured in application circuit in Figure 3.
- (4) All specifications as measured on the evaluation board.



PACKAGE OUTLINE



S <sub>v</sub> , M <sub>0</sub>	INCHES		MILLIMETERS		NOTE
	MIN.	MAX.	MIN.	MAX.	
A	0.087	0.098	2.21	2.49	
A <sub>1</sub>	0.000	0.004	0.00	0.10	6
A <sub>2</sub>	0.087	0.094	2.21	2.39	
B	0.013	0.019	0.33	0.48	
C	0.007	0.009	0.18	0.23	
D	0.398	0.412	10.11	10.46	2
E	0.290	0.300	7.37	7.62	3
e	0.050	BSC	1.27	BSC	4
H	0.394	0.418	10.01	10.62	
h	0.010	0.028	0.25	0.71	
L	0.024	0.040	0.61	1.02	
LE	0.052	—	1.32	—	
α	0°	8°	0°	8°	
S	0.120	0.140	3.05	3.56	5
T	0.330	0.350	8.38	8.89	5
R	REF.	0.015	REF.	0.38	5

NOTES:

1. CONTROLLING DIMENSION: INCHES
2. DIMENSION "D" DOES NOT INCLUDE MOLD FLASH, PROTRUSIONS OR GATE BURRS. MOLD FLASH, PROTRUSIONS AND GATE BURRS SHALL NOT EXCEED 0.006 [0.15mm] PER SIDE.
3. DIMENSION "E" DOES NOT INCLUDE INTER-LEAD FLASH OR PROTRUSIONS. INTER-LEAD FLASH AND PROTRUSIONS SHALL NOT EXCEED 0.010 [0.25mm] PER SIDE.
4. MAXIMUM LEAD TWIST/SKEW TO BE ±0.005 [0.13mm].
5. DIMENSIONS "S", "T" AND "R" INDICATE EXPOSED SLUG AREA.
6. STANDOFF HEIGHT (A<sub>1</sub>) MEASURED FROM BOTTOM OF SLUG.

Figure 4: Wide Body SOIC-16 Package

**ORDERING INFORMATION**

<b>ORDER NUMBER</b>	<b>TEMPERATURE RANGE</b>	<b>PACKAGE DESCRIPTION</b>	<b>COMPONENT PACKAGING</b>
ACA2429P2	-40 °C to +100 °C	16 Pin Wide Body SOIC with Heat Slug	Tape and Reel, 1500 pieces per Reel
EVB2429			Evaluation Board Part Number

---

Copyright © 2016 Skyworks Solutions, Inc. All Rights Reserved.

Information in this document is provided in connection with Skyworks Solutions, Inc. ("Skyworks") products or services. These materials, including the information contained herein, are provided by Skyworks as a service to its customers and may be used for informational purposes only by the customer. Skyworks assumes no responsibility for errors or omissions in these materials or the information contained herein. Skyworks may change its documentation, products, services, specifications or product descriptions at any time, without notice. Skyworks makes no commitment to update the materials or information and shall have no responsibility whatsoever for conflicts, incompatibilities, or other difficulties arising from any future changes.

No license, whether express, implied, by estoppel or otherwise, is granted to any intellectual property rights by this document. Skyworks assumes no liability for any materials, products or information provided hereunder, including the sale, distribution, reproduction or use of Skyworks products, information or materials, except as may be provided in Skyworks Terms and Conditions of Sale.

THE MATERIALS, PRODUCTS AND INFORMATION ARE PROVIDED "AS IS" WITHOUT WARRANTY OF ANY KIND, WHETHER EXPRESS, IMPLIED, STATUTORY, OR OTHERWISE, INCLUDING FITNESS FOR A PARTICULAR PURPOSE OR USE, MERCHANTABILITY, PERFORMANCE, QUALITY OR NON-INFRINGEMENT OF ANY INTELLECTUAL PROPERTY RIGHT; ALL SUCH WARRANTIES ARE HEREBY EXPRESSLY DISCLAIMED. SKYWORKS DOES NOT WARRANT THE ACCURACY OR COMPLETENESS OF THE INFORMATION, TEXT, GRAPHICS OR OTHER ITEMS CONTAINED WITHIN THESE MATERIALS. SKYWORKS SHALL NOT BE LIABLE FOR ANY DAMAGES, INCLUDING BUT NOT LIMITED TO ANY SPECIAL, INDIRECT, INCIDENTAL, STATUTORY, OR CONSEQUENTIAL DAMAGES, INCLUDING WITHOUT LIMITATION, LOST REVENUES OR LOST PROFITS THAT MAY RESULT FROM THE USE OF THE MATERIALS OR INFORMATION, WHETHER OR NOT THE RECIPIENT OF MATERIALS HAS BEEN ADVISED OF THE POSSIBILITY OF SUCH DAMAGE.

Skyworks products are not intended for use in medical, lifesaving or life-sustaining applications, or other equipment in which the failure of the Skyworks products could lead to personal injury, death, physical or environmental damage. Skyworks customers using or selling Skyworks products for use in such applications do so at their own risk and agree to fully indemnify Skyworks for any damages resulting from such improper use or sale.

Customers are responsible for their products and applications using Skyworks products, which may deviate from published specifications as a result of design defects, errors, or operation of products outside of published parameters or design specifications.

Customers should include design and operating safeguards to minimize these and other risks. Skyworks assumes no liability for applications assistance, customer product design, or damage to any equipment resulting from the use of Skyworks products outside of stated published specifications or parameters.

Skyworks and the Skyworks symbol are trademarks or registered trademarks of Skyworks Solutions, Inc., in the United States and other countries. Third-party brands and names are for identification purposes only, and are the property of their respective owners. Additional information, including relevant terms and conditions, posted at [www.skyworksinc.com](http://www.skyworksinc.com), are incorporated by reference.

**Skyworks Solutions, Inc.**

Phone [781] 376-3000 • Fax [781] 376-3100 • [sales@skyworksinc.com](mailto:sales@skyworksinc.com) • [www.skyworksinc.com](http://www.skyworksinc.com)

Skyworks Proprietary and Confidential information • Products and Product Information are Subject to Change Without Notice