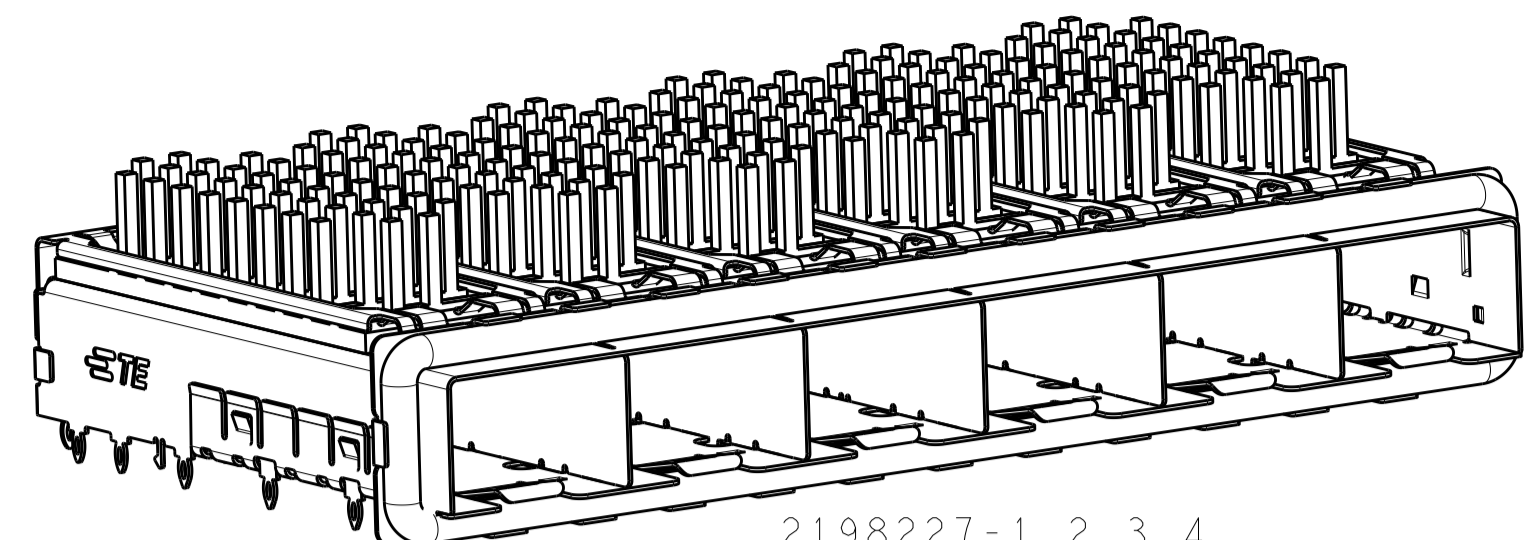
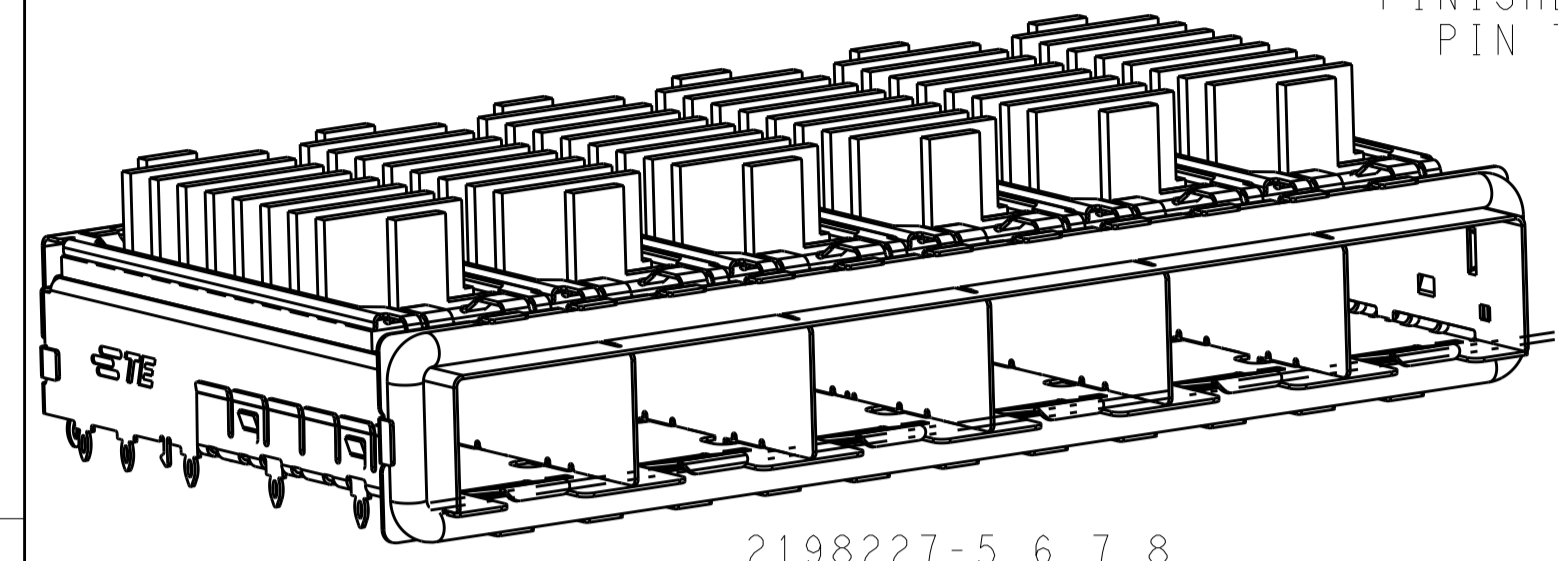


| LOC | DIST | REVISIONS | | | |
|-----|------|-----------|-----------|-----|------|
| GP | 00 | REV | DATE | BY | APPV |
| | | A | 06SEP2012 | BMM | MRS |
| | | A1 | 11SEP2013 | PP | SH |



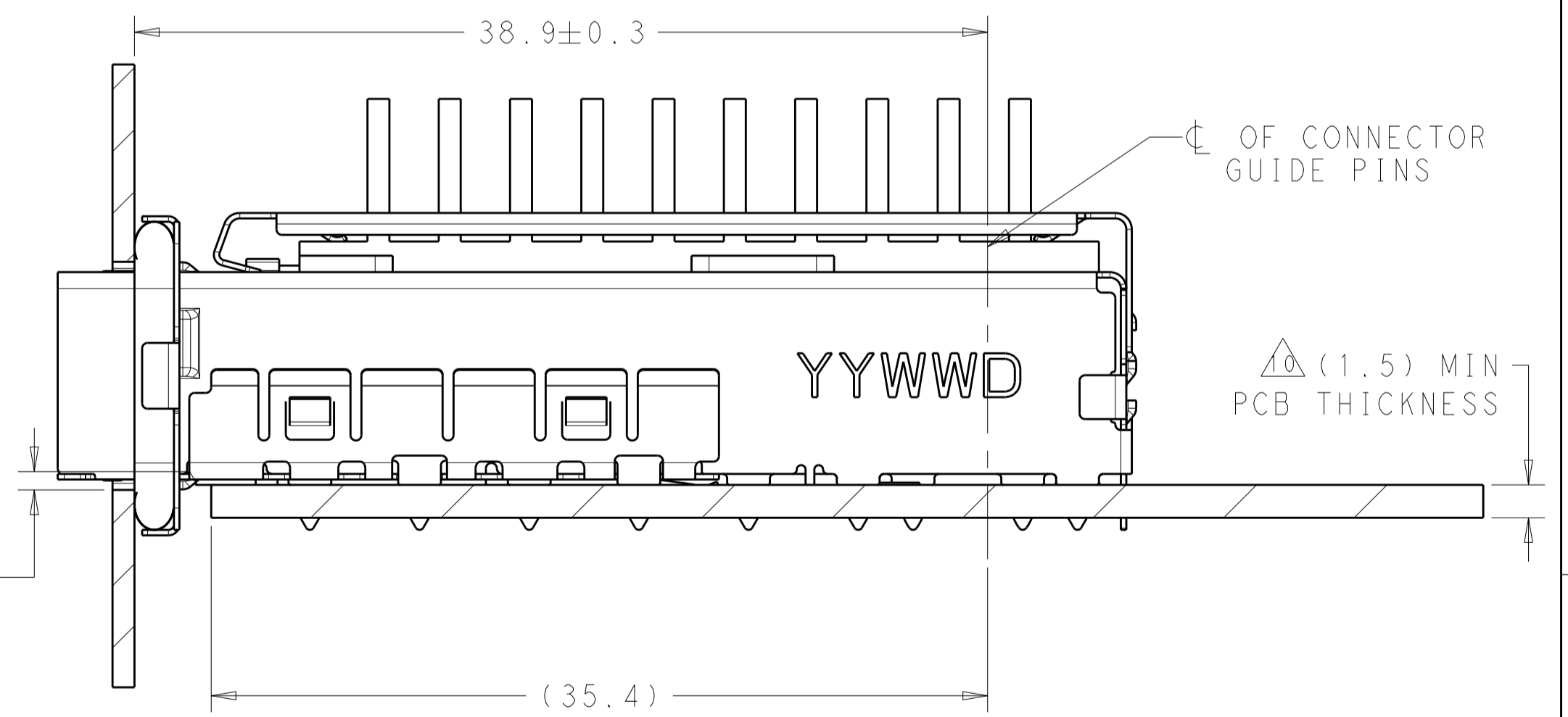
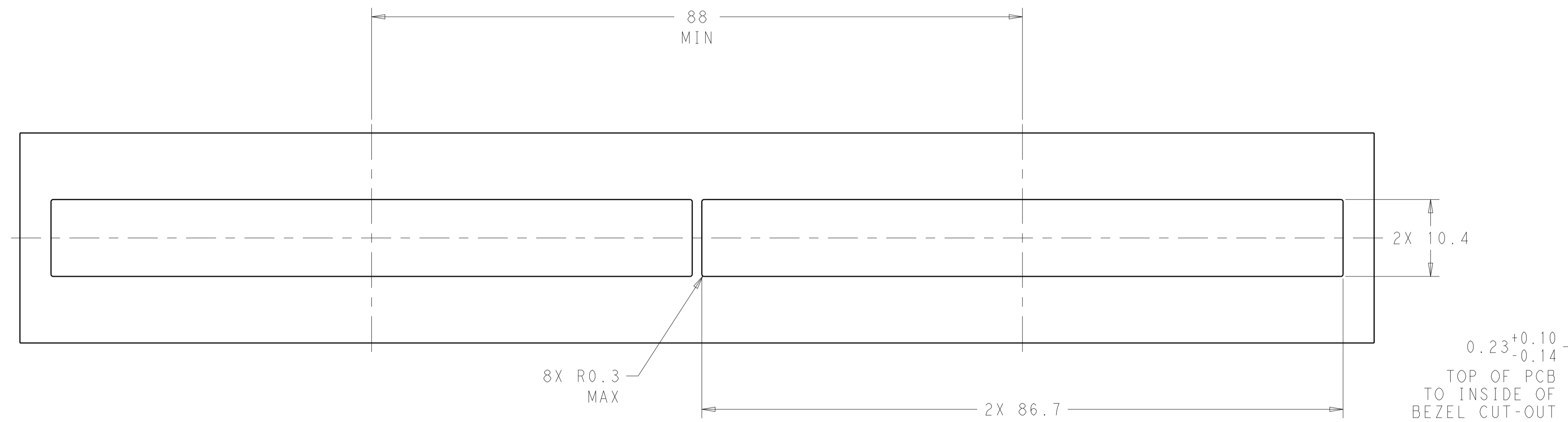
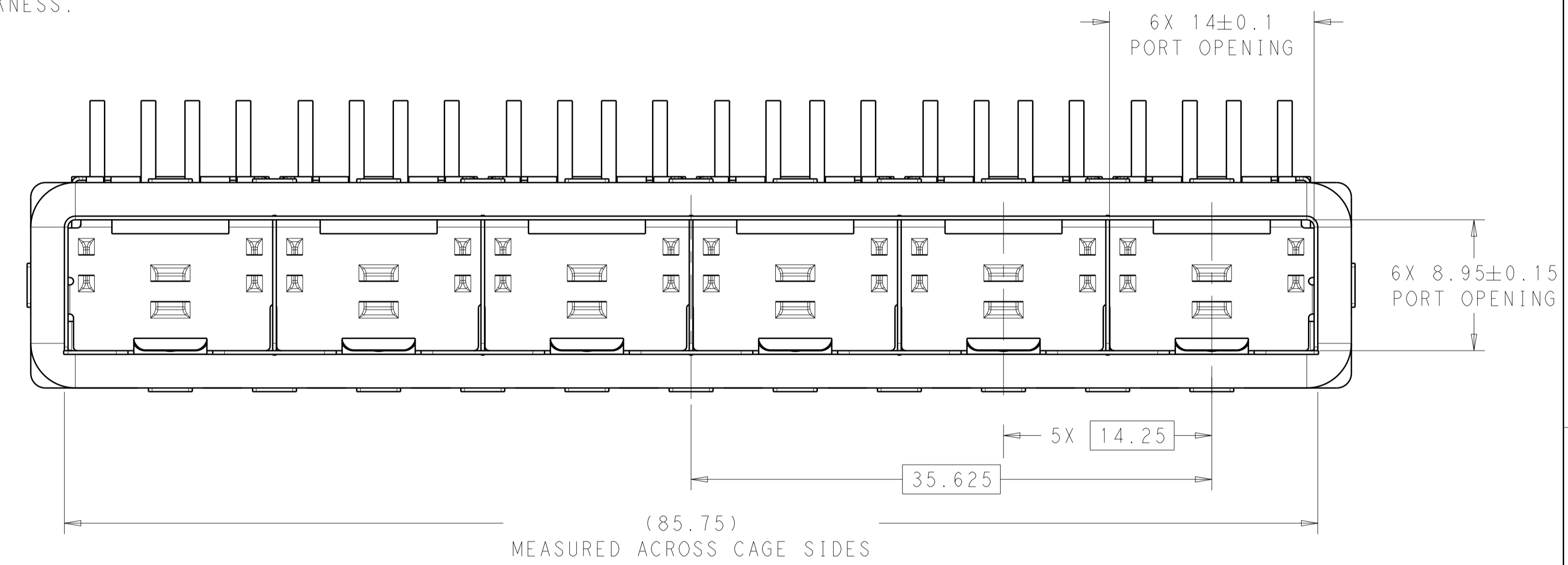
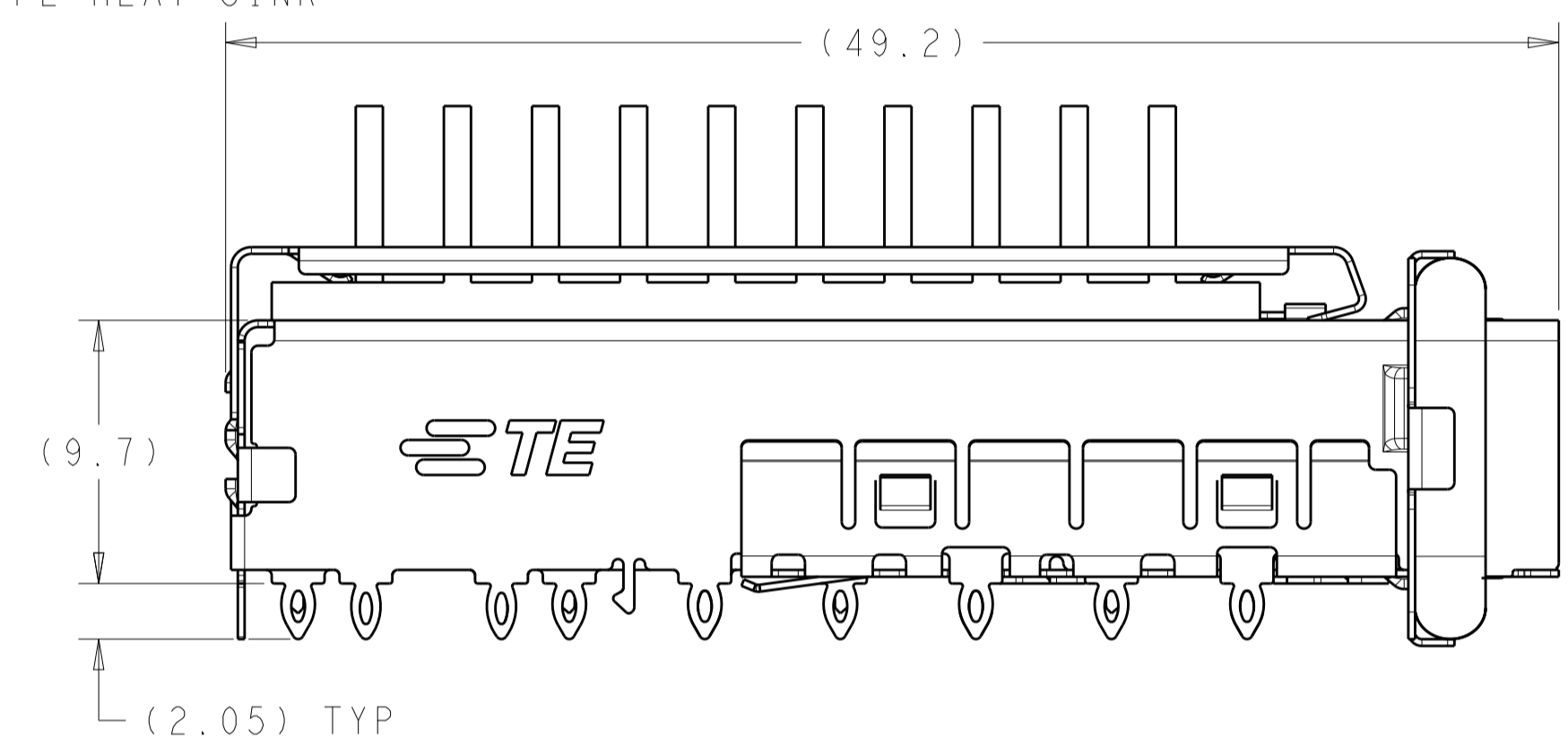
2198227-1,2,3,4
FINISHED ASSEMBLY WITH
PIN TYPE HEAT SINK



2198227-5,6,7,8
FINISHED ASSEMBLY WITH
FIN TYPE HEAT SINK

- ⚠ MATERIAL:
CAGE ASSEMBLY: NICKEL SILVER ALLOY, 0.25mm THICK.
GASKET RETENTION PLATE: STAINLESS STEEL
EMI GASKET: PLATED FILLED SILICONE
HEATSINK CLIP: STAINLESS STEEL
HEATSINK: ALUMINUM
- ⚠ FINISH:
HEATSINK: ELECTROLESS NICKEL
HEATSINK CLIP: PASSIVATE
- ⚠ PADS AND VIAS CHASSIS GROUND.
- 4. INTERPRETATION OF DATUM REFERENCE FRAME IN ACCORDANCE WITH SECT 4.4.1.1 OF ASME Y14.5M-1994.
- 5. MATES WITH SFP MSA COMPLIANT TRANSCEIVERS.
- ⚠ HOLE PATTERN REPEATS FOR EACH PORT. SPACING BETWEEN PORTS IS 14.25mm.
- ⚠ DATUM AND BASIC DIMENSION ESTABLISHED BY CUSTOMER.
- ⚠ REFERENCE APPLICATION SPEC. 114-13120, HOLE A, FOR RECOMMENDED DRILL HOLE DIAMETER AND PLATING THICKNESS.
- ⚠ REFERENCE APPLICATION SPEC. 114-13120, HOLE B, FOR RECOMMENDED DRILL HOLE DIAMETER AND PLATING THICKNESS.

- ⚠ MINIMUM PC BOARD THICKNESS:
SINGLE SIDED = 1.50
- 11. CERTAIN MATING TRANCEIVERS MAY REQUIRE ADDITIONAL PCB THICKNESS THAT WOULD BE DETERMINED BY THE CUSTOMER.
- 12. PRODUCT COMPLIES WITH SPECIFICATION SFF-8433 IMPROVED PLUGGABLE FORM FACTOR FOR SFP+ GANGED CAGES.
- ⚠ DIMENSION APPLIES PRIOR TO INSERTION OF SFP MODULE.



RECOMMENDED BEZEL CUT-OUT
SINGLE SIDED APPLICATIONS
SCALE 5:2

2198227
MOUNTED ON PC BOARD
SHOWN THRU RECOMMENDED BEZEL

| FIN TYPE | HEAT SINK | APPLICATION | PART NUMBER |
|----------|-----------|-------------------|-------------|
| 22.5 | A MAX | NETWORKING, TALL | 2198227-8 |
| 18.1 | | NETWORKING, SHORT | 2198227-7 |
| 15.5 | | SAN | 2198227-6 |
| 13.2 | | PCI | 2198227-5 |
| 22.5 | | NETWORKING, TALL | 2198227-4 |
| 18.1 | | NETWORKING, SHORT | 2198227-3 |
| 15.5 | | SAN | 2198227-2 |
| 13.2 | | PCI | 2198227-1 |

THIS DRAWING IS A CONTROLLED DOCUMENT.

DIMENSIONS: mm

TOLERANCES UNLESS OTHERWISE SPECIFIED:

| | |
|--------|------|
| 0 PLC | ±0.1 |
| 1 PLC | ±0.1 |
| 2 PLC | ±0.1 |
| 3 PLC | ±0.1 |
| 4 PLC | ±0.1 |
| ANGLES | ±0.1 |

MATERIAL: ⚠

FINISH: ⚠

OWN: B. MATTHEWS, 25OCT2011

CHK: M. SCHMITT, 25OCT2011

APPV: M. SCHMITT, 25OCT2011

PRODUCT SPEC: 108-2364

APPLICATION SPEC: 114-13120

WEIGHT: -

Customer Drawing

SCALE: 4:1

SHEET: 1 OF 2

REV: A1

STE TE Connectivity

NAME: SFP+ ENHANCED 1X6 CAGE ASSEMBLY, PRESS FIT, EMI GASKET WITH HEATSINK

SIZE: A1

CAGE CODE: 00779

DRAWING NO: 2198227

