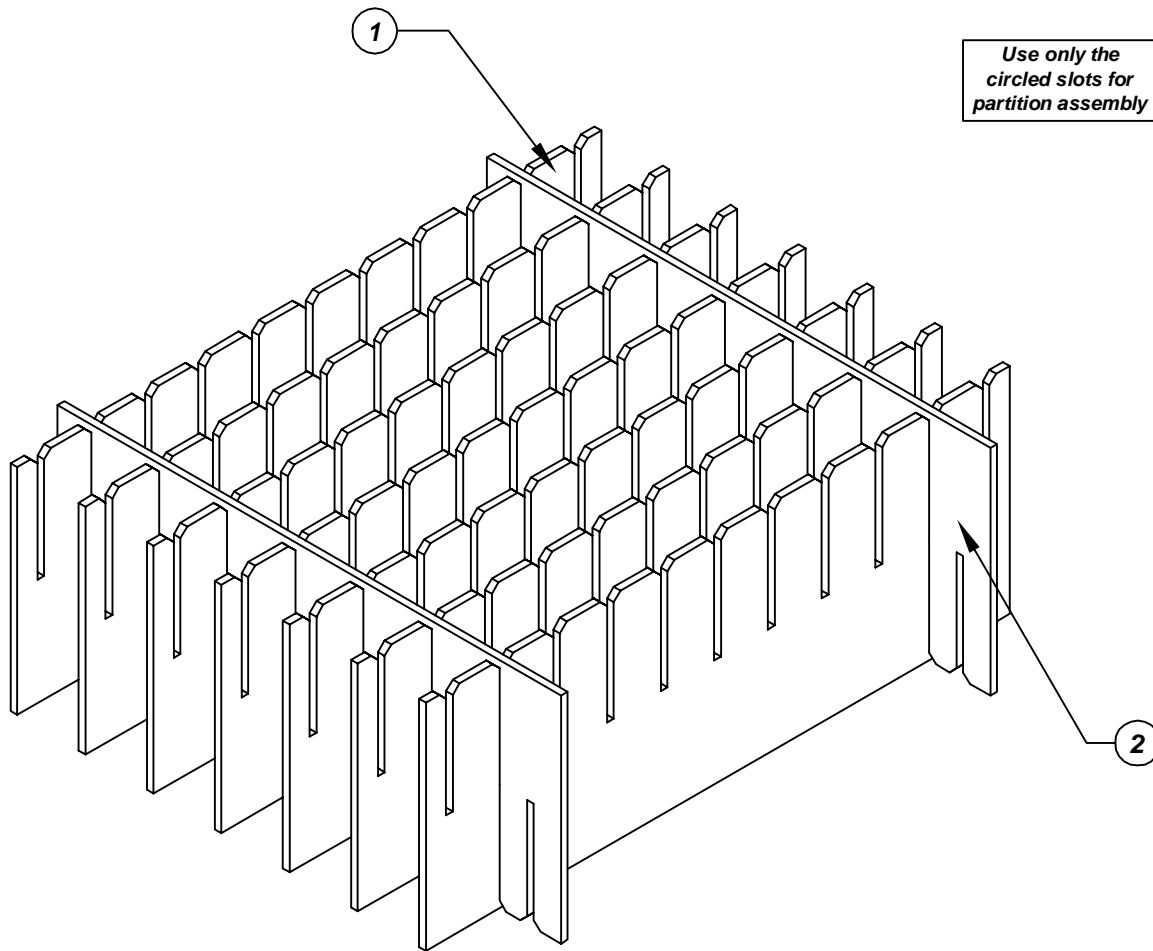
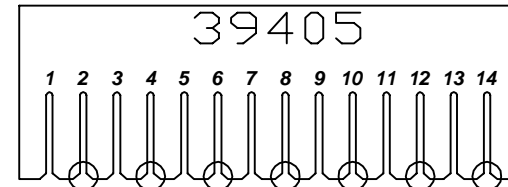


Assembly Instructions for - 38823

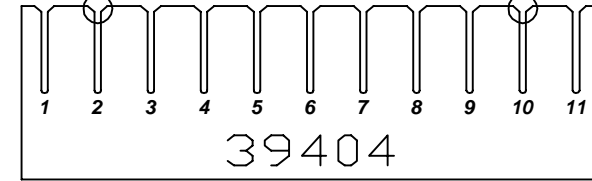


Use only the circled slots for partition assembly

Folded Short Partition

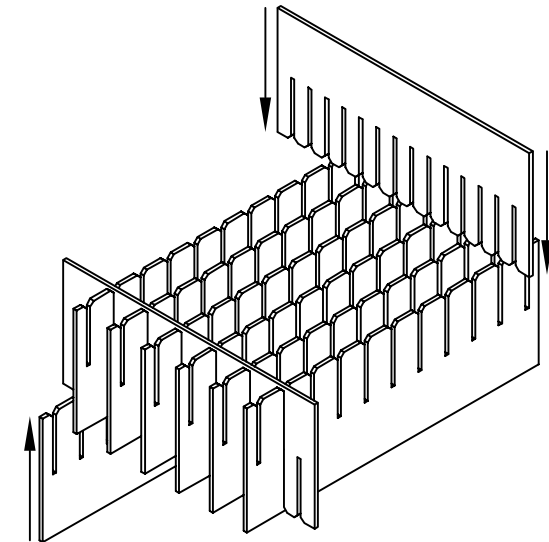


2



1

Folded Long Partition



Made in America

F/N 1	Part # 39404	Dimensions: 16-3/16" x 21-3/4"	Description: Adjustable Long Partition	Qty: 7
F/N 2	Part # 39405	Dimensions: 16-3/16" x 18-3/4"	Description: Adjustable Short Partition	Qty: 2

38823 - 7 Cell Inplant Handler
Cell Size - 8" x 15-3/4" x 2-1/4"

Notes:
 For use with the following storage container & lid:
 37532 - Storage Container
 37557 - Lid

PROTEKTIVE PAK
 13520 MONTE VISTA AVENUE, CHINO, CA 91710
 PHONE (909) 627-2578, FAX (909) 363-7331
 ProtoktivePak.com



DRAWING NUMBER
IPH-38823

DATE
 Dec.
 2007