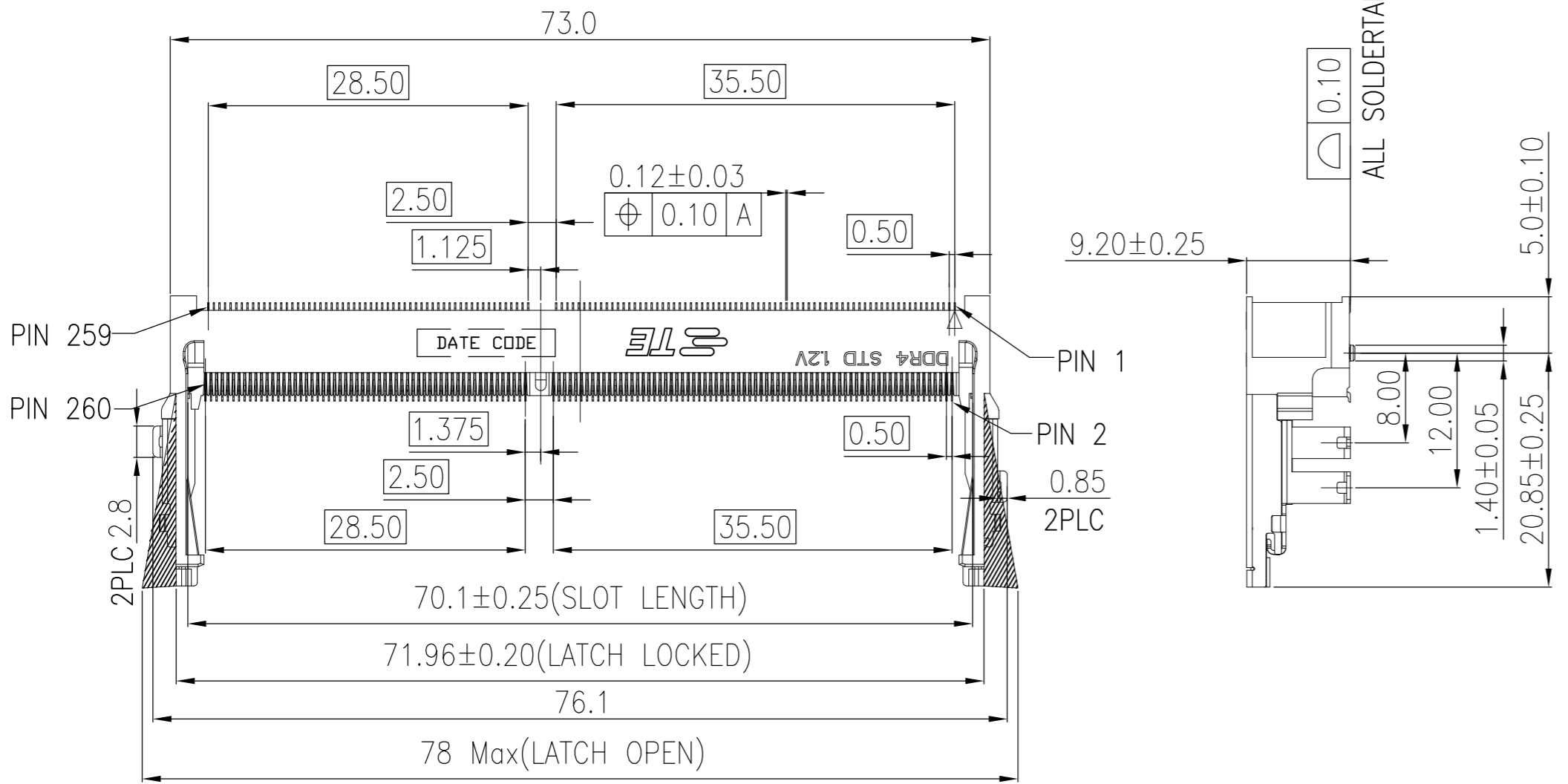


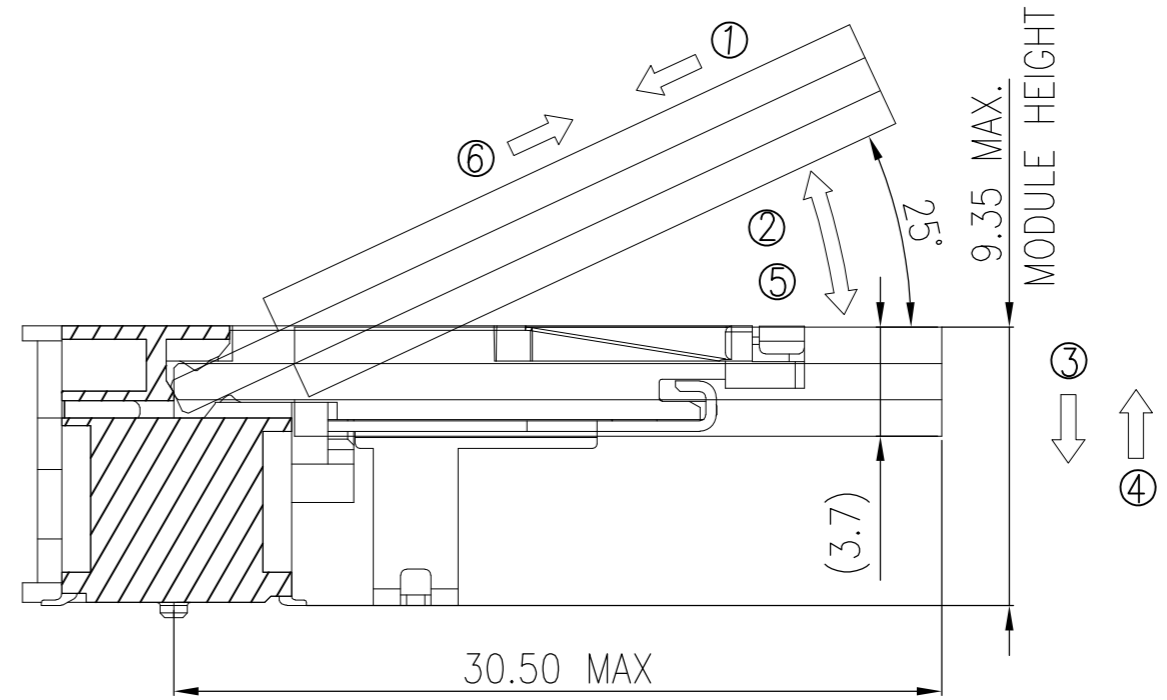
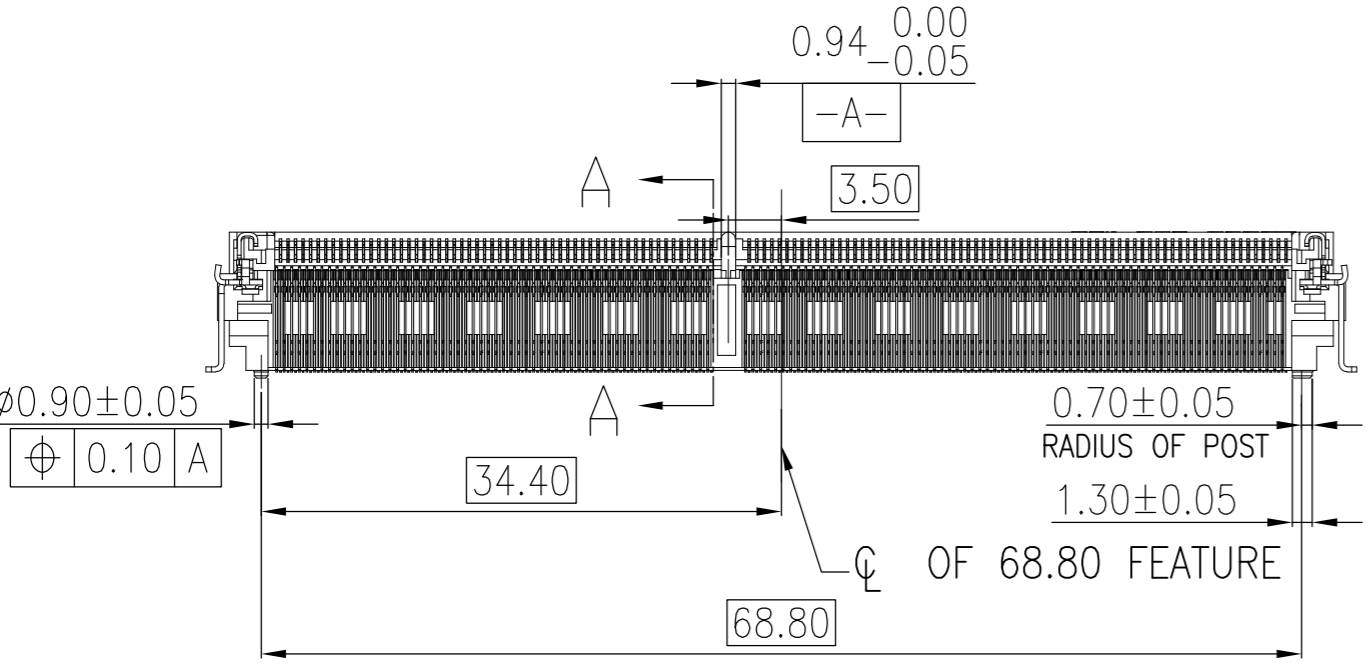
REVISIONS					
P	LTR	DESCRIPTION	DATE	DWN	APVD
3		REVISED	21FEB2017	D.Z	S.L



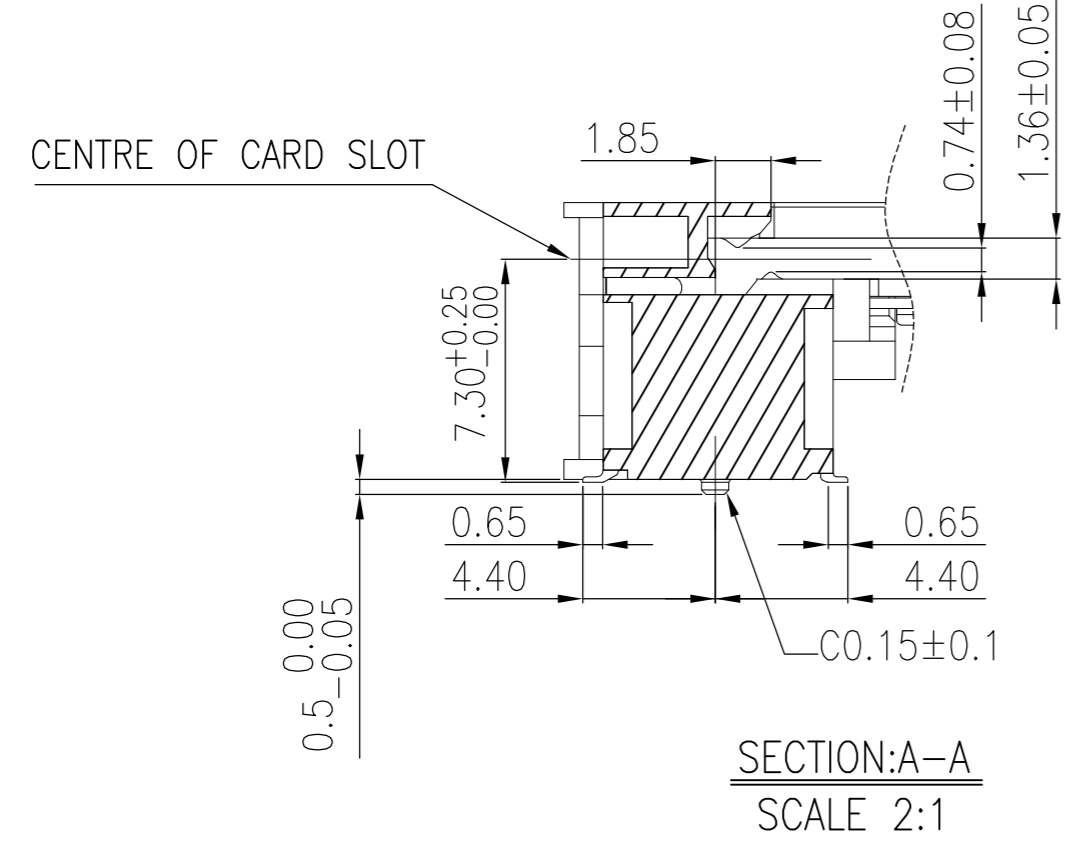
- NOTES:
- MATERIAL:
 - HOUSING: HIGH TEMPERATURE THERMO PLASTIC,UL94V-0,COLOR:BLACK.
 - CONTACT: COPPER ALLOY.
 - SOLDER PEG AND LATCH:STAINLESS STEEL.
 - FINISH:

SOLDER PEG: GOLD FLASH ON 50u" MIN NICKEL UNDERPLATED ALL OVER.
 CONTACT SOLDER AREA: GOLD FLASH ON SOLDER TAIL.

 - CONTACT AREA: GOLD FLASH ON 50u" MIN NICKEL UNDERPLATED ALL OVER.
 - CONTACT AREA: 5u" ON 50u" MIN NICKEL UNDERPLATED ALL OVER.
 - CONTACT AREA: 10u" ON 50u" MIN NICKEL UNDERPLATED ALL OVER.
 - CONTACT AREA: 15u" ON 50u" MIN NICKEL UNDERPLATED ALL OVER.
 - CONTACT AREA: 30u" ON 50u" MIN NICKEL UNDERPLATED ALL OVER.
 - COPLANARITY: 0.10 MAX. (BEFORE SOLDERING)



MATING/UNMATING VIEW
 SCALE 2:1
 MATING: ① INSERTING(25°) → ② ROTATING → ③ FIXED
 UNMATING: ④ UNFIXED → ⑤ ROTATING → ⑥ WITHDRAWING



TAPE&REEL	HOUSING COLOR	POWER SUPPLY	FINISH	POS	PART NO.
BLACK	BLACK	1.2V	30u"	260	2309413-5
BLACK	BLACK	1.2V	15u"	260	2309413-4
BLACK	BLACK	1.2V	10u"	260	2309413-3
BLACK	BLACK	1.2V	5u"	260	2309413-2
BLACK	BLACK	1.2V	GF	260	2309413-1

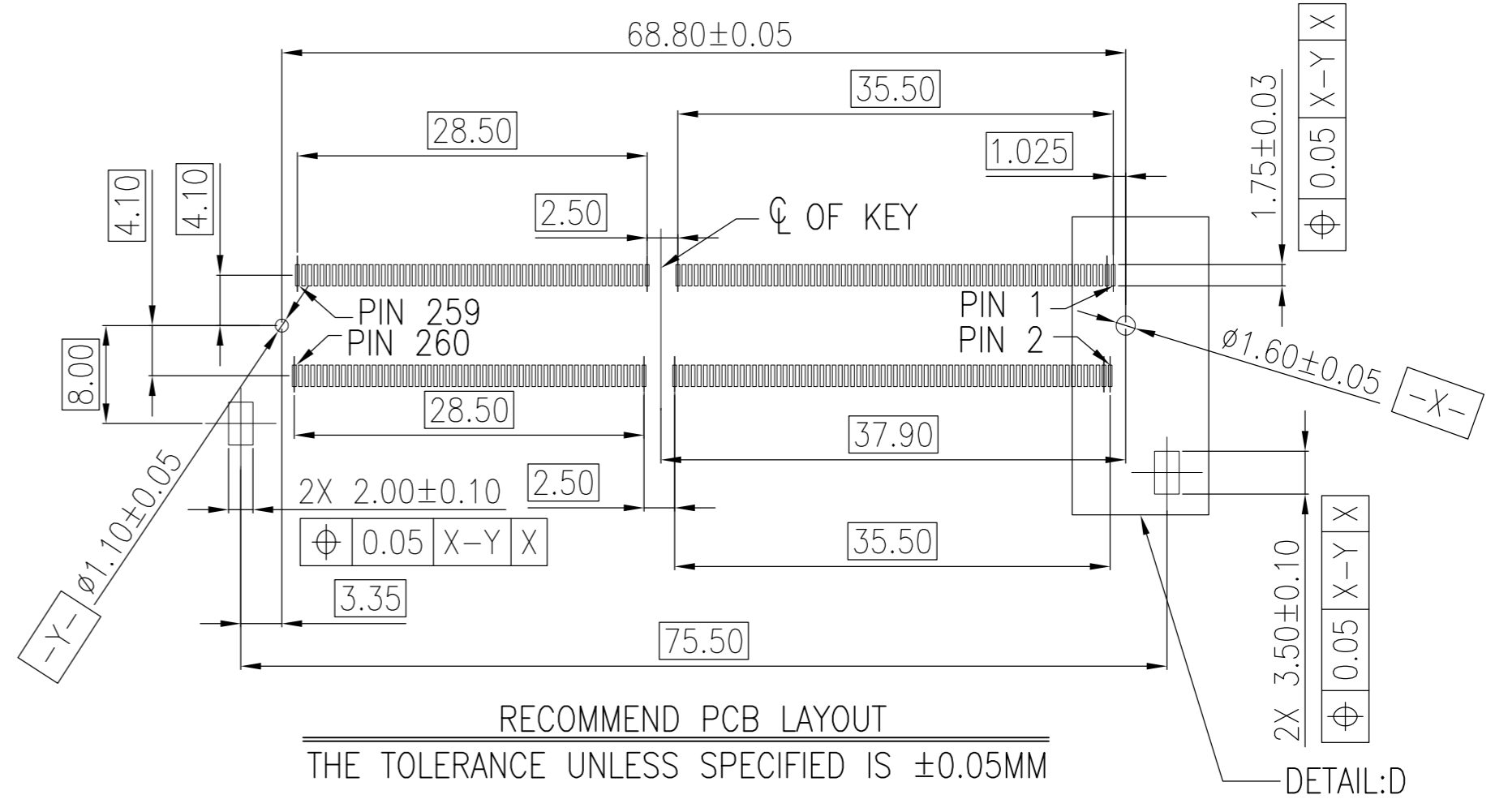
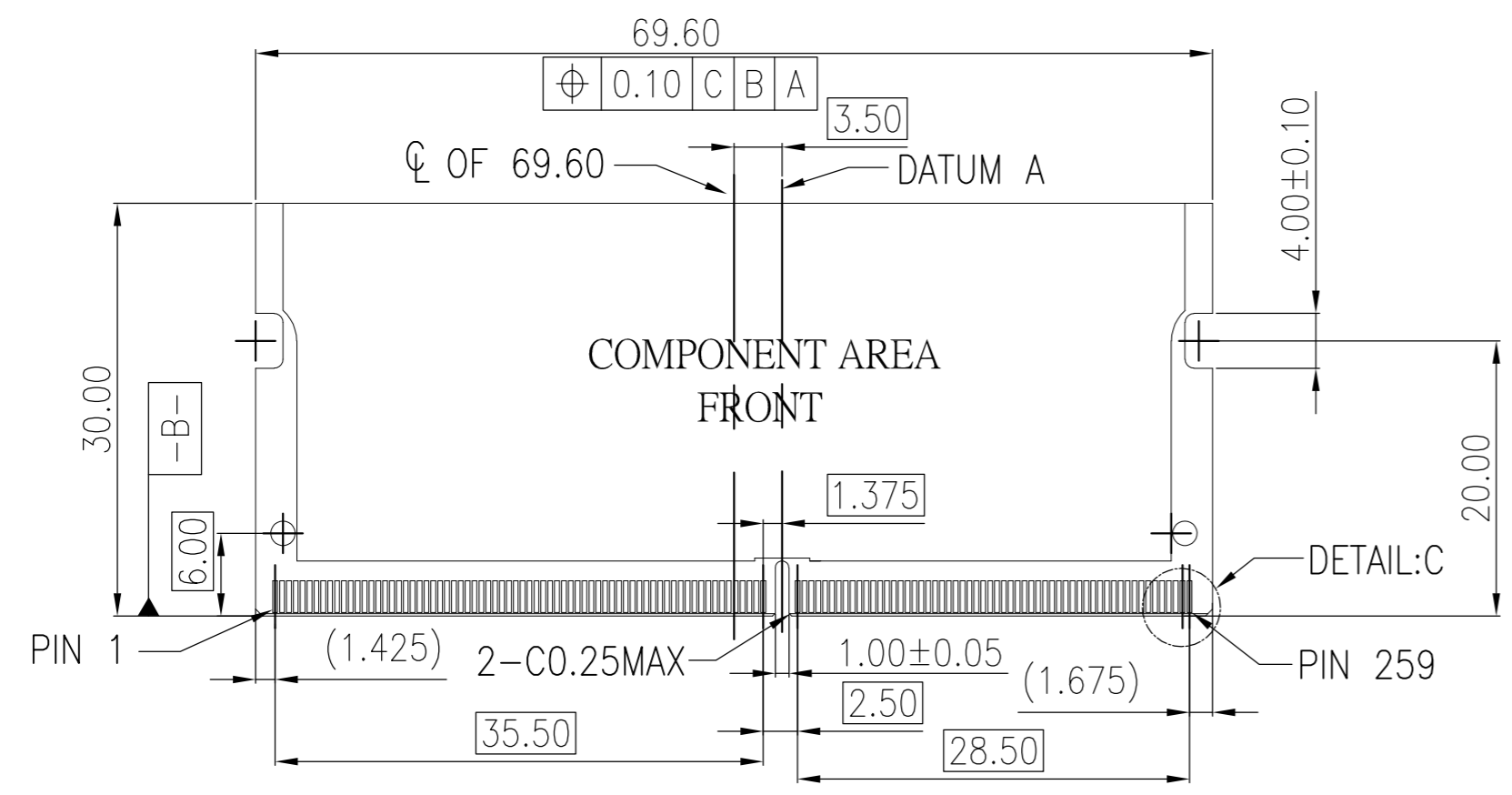
THIS DRAWING IS A CONTROLLED DOCUMENT.

DWN DAVID ZHAO 09SEP2016		NAME				
CHK RICHARD MA 09SEP2016		DAVID ZHAO				
APVD SIMON LI 09SEP2016		RICHARD MA				
PRODUCT SPEC		SIMON LI				
108-115122	APPLICATION SPEC		SIZE	CAGE CODE	DRAWING NO	RESTRICTED TO
WEIGHT	SCALE	1:1	SHEET	1 of 3	REV	3

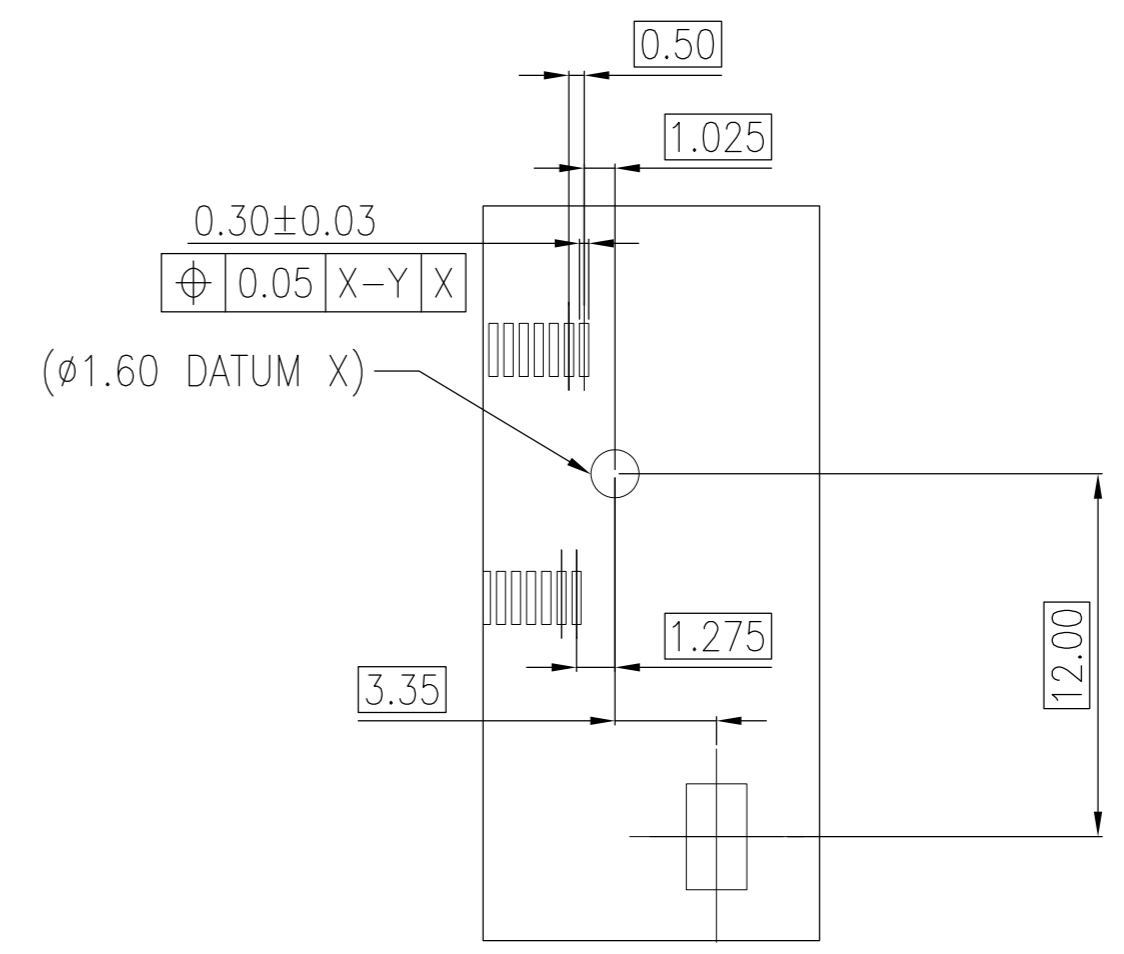
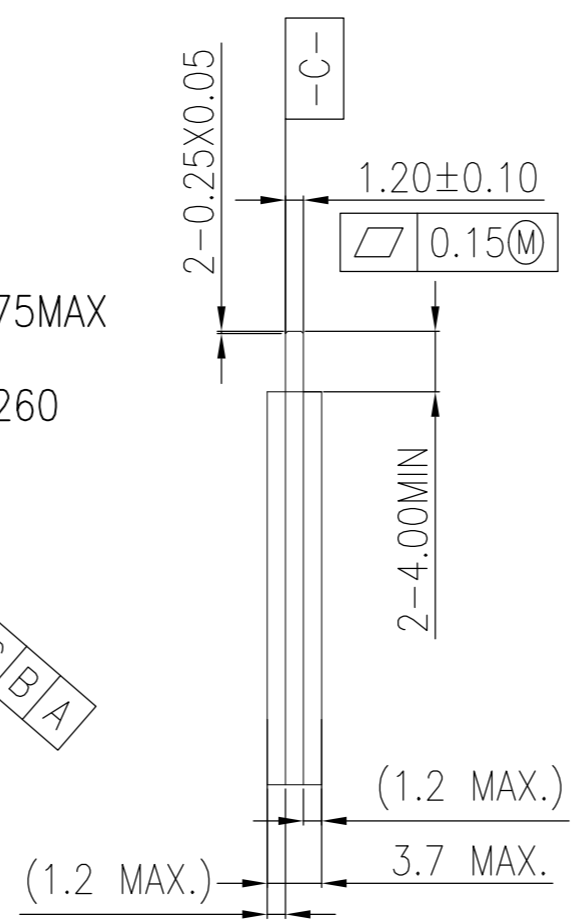
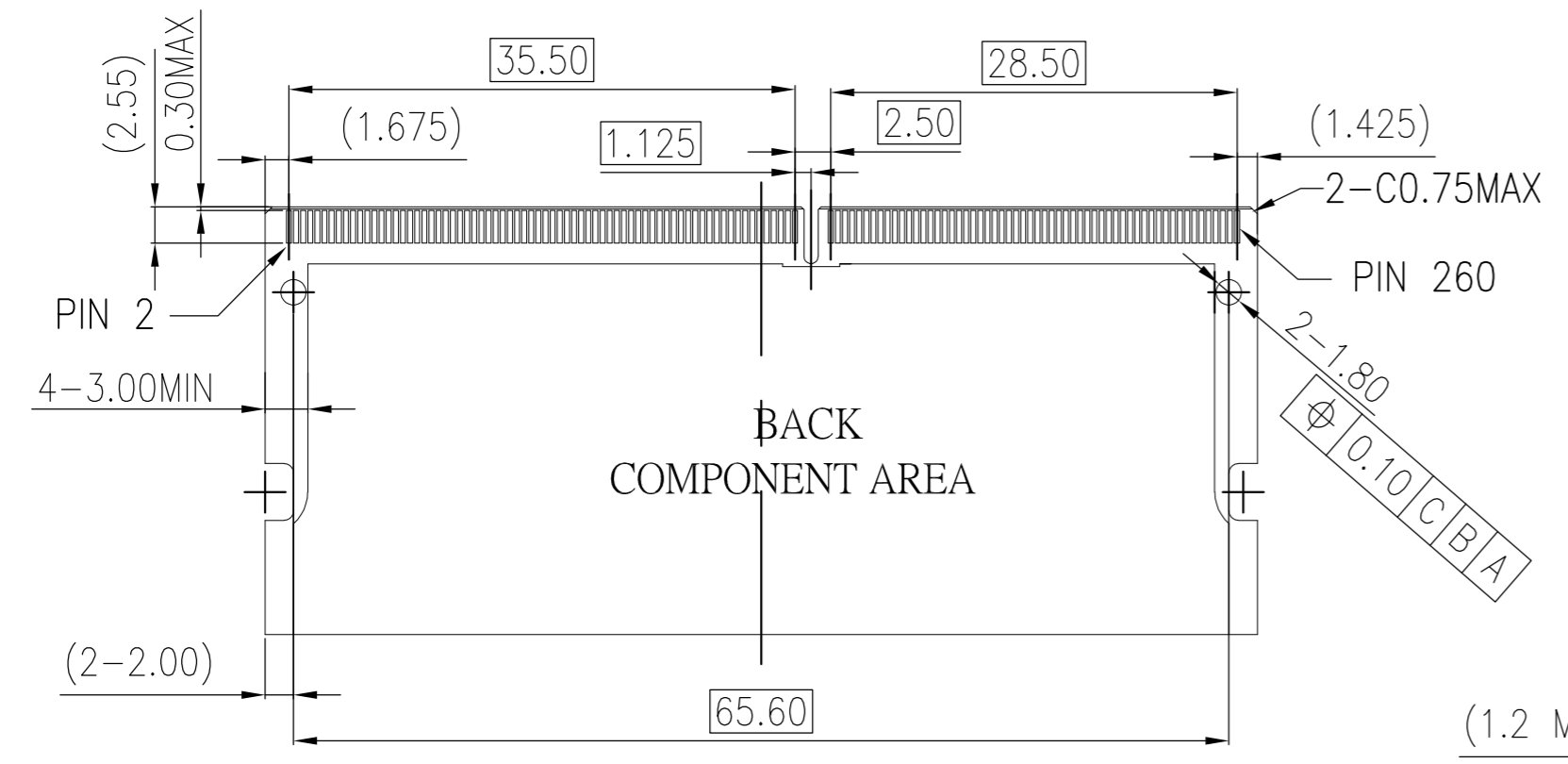
CUSTOMER DRAWING

THIS DRAWING IS UNPUBLISHED. RELEASED FOR PUBLICATION
 © COPYRIGHT 2016 By TE connectivity ALL RIGHTS RESERVED.

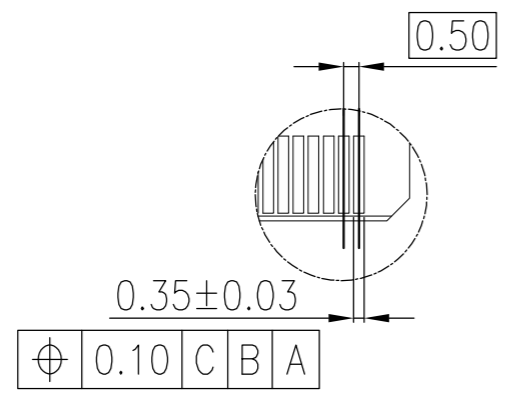
REVISIONS					
P	LTR	DESCRIPTION	DATE	DWN	APVD
-	-				



RECOMMEND PCB LAYOUT
 THE TOLERANCE UNLESS SPECIFIED IS \pm 0.05MM



DETAIL:D
 SCALE 2:1

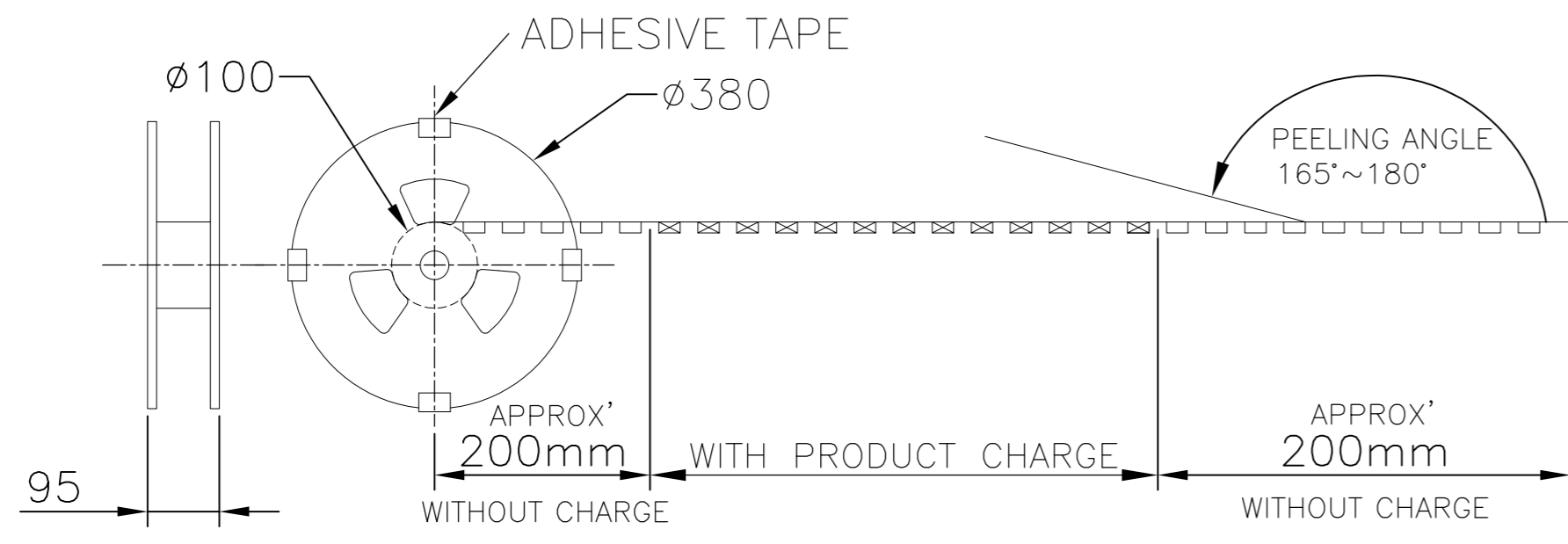


DETAIL:C
 SCALE 2:1

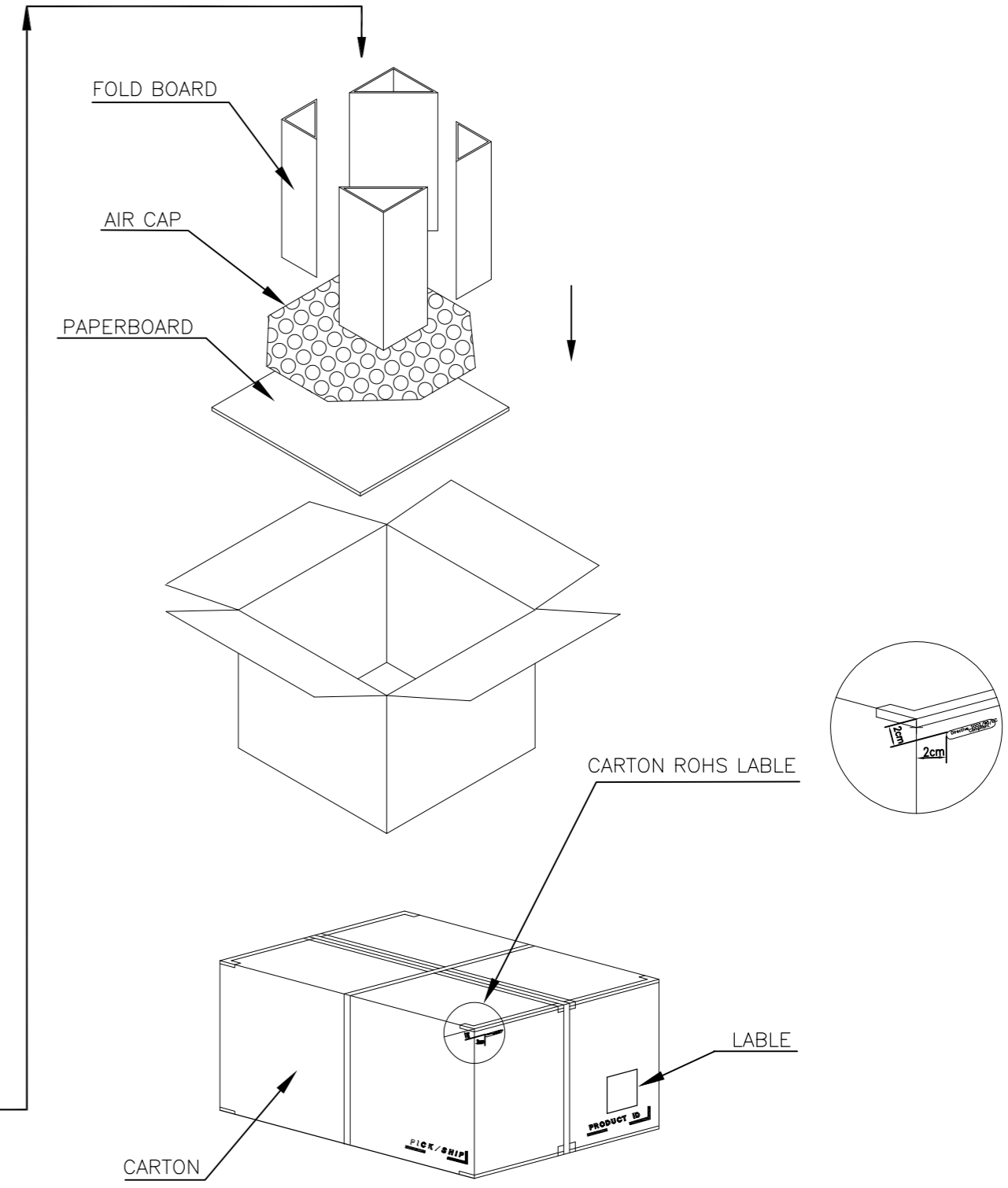
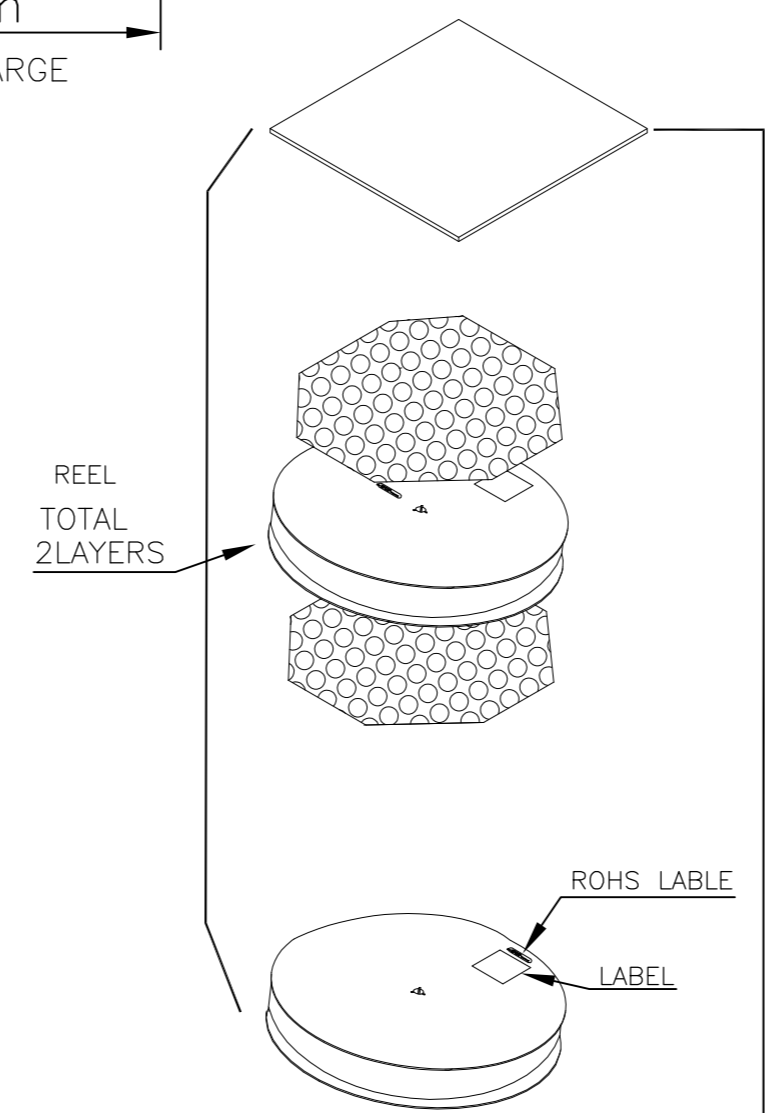
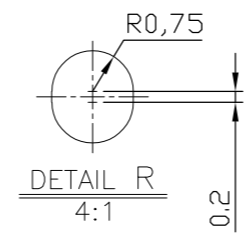
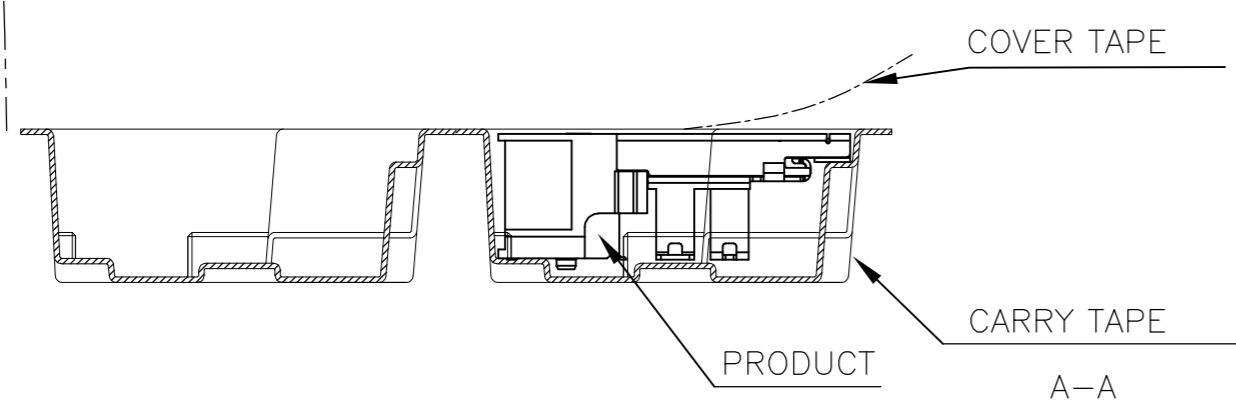
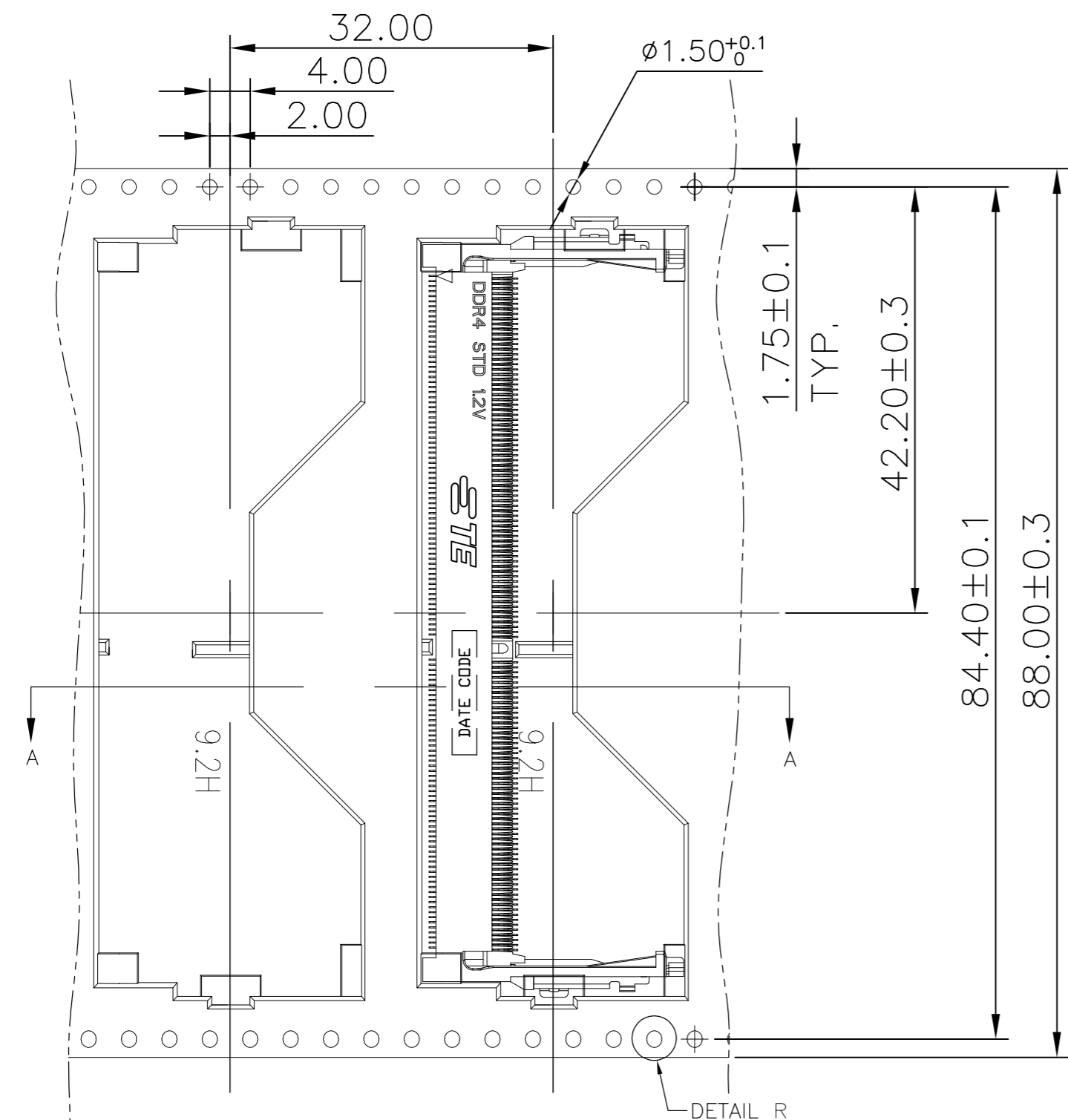
THIS DRAWING IS A CONTROLLED DOCUMENT.		DWN DAVID ZHAO 09SEP2016		
DIMENSIONS: mm		CHK RICHARD MA 09SEP2016		
TOLERANCES UNLESS OTHERWISE SPECIFIED:		APVD SIMON LI 09SEP2016	NAME	
0 PLC \pm	1 PLC \pm	PRODUCT SPEC	DDR4 SODIMM SOCKET	
2 PLC \pm	3 PLC \pm	APPLICATION SPEC	0.5mm PITCH 260POS	
4 PLC \pm	ANGLES \pm	WEIGHT	9.2mm HEIGHT STANDARD TYPE	
FINISH		CUSTOMER DRAWING	SIZE A2	RESTRICTED TO
			CAGE CODE 00779	
			DRAWING NO. C=2309413	
			SCALE 1:1	SHEET 2 OF 3
				REV 3

THIS DRAWING IS UNPUBLISHED. RELEASED FOR PUBLICATION
 © COPYRIGHT 2016 By TE connectivity ALL RIGHTS RESERVED.

REVISIONS					
P	LTR	DESCRIPTION	DATE	DWN	APVD
-	-		-	-	-



PULL OUT DIRECTION



250	2	500	*-2309413-*
PCS/REEL	REEL/CARTON	PCS/CARTON	PART NUMBER

THIS DRAWING IS A CONTROLLED DOCUMENT.		DWN DAVID ZHAO 09SEP2016	TE Connectivity	
DIMENSIONS: mm		CHK RICHARD MA 09SEP2016	NAME	
TOLERANCES UNLESS OTHERWISE SPECIFIED		APVD SIMON LI 09SEP2016	PRODUCT SPEC	
0 PLC ±		APPLICATION SPEC		
1 PLC ± -		WEIGHT		
2 PLC ± -		SIZE A2		
3 PLC ± -		CAGE CODE 00779		
4 PLC ± -		DRAWING NO C=2309413		
ANGLES ± -		RESTRICTED TO		
FINISH		SCALE - SHEET 3 of 3 REV 3		
MATERIAL		CUSTOMER DRAWING		

TE TE Connectivity
 DDR4 SODIMM SOCKET
 0.5mm PITCH 260POS
 9.2mm HEIGHT STANDARD TYPE