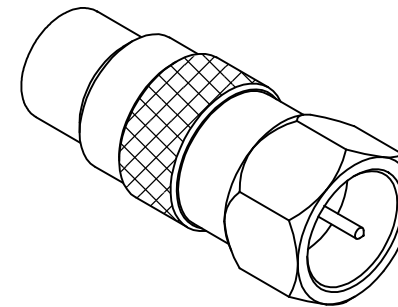
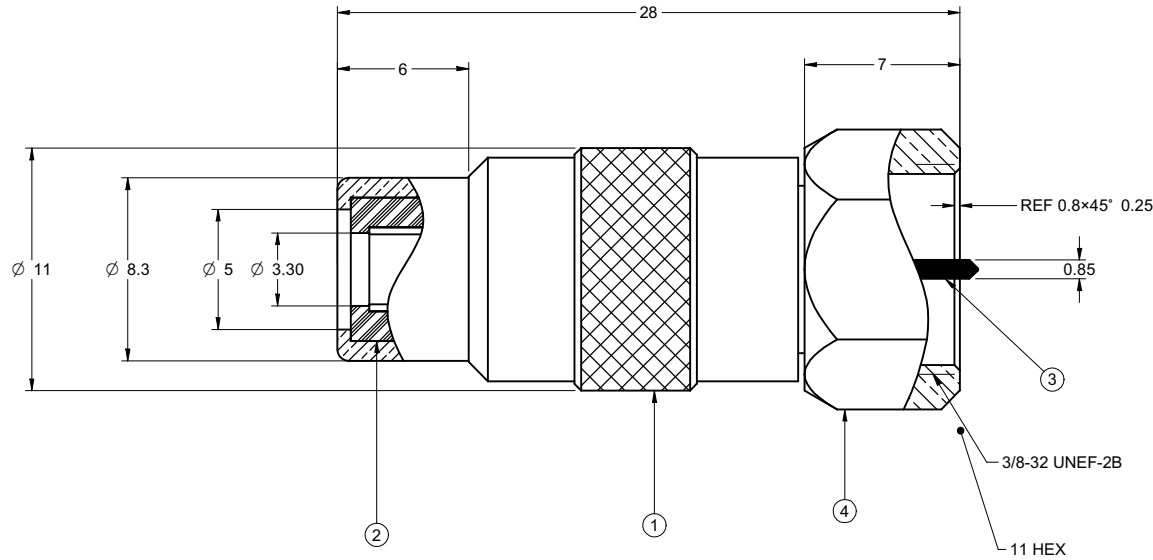


PART NUMBER	ITEM ① BODY	ITEM ② INSULATOR	ITEM ③ CONTACT	ITEM ④ NUT
25-7580	BRASS NICKEL PLATED	DELRIN	BRASS NICKEL PLATED	BRASS NICKEL PLATED

DRAWING NO.  
25-7580

REVISIONS				
01	OFFICIAL RELEASE	08-21-09	08-21-09	2009.09
				Betty



受控 CONTROLLED DOCUMENT					
编号 P/N	25-7580	版本 Rev	01	日期 Rel'd Date	SEP 14, 09

NOTES:

1. F END TECHNICAL DETAIL: REFER TO EMERSON DOCUMENT P/N 25-0000

THIS DRAWING TO BE INTERPRETED  
PER ANSI Y 14.5M - 1994

COMPANY CONFIDENTIAL

TOLERANCE UNLESS OTHERWISE SPECIFIED		DRAWN BY	DATE
		BETTY.YU	08-21-09
DECIMALS	mm	CHECKED BY	DATE
X	± 0.5	BETTY.YU	08-21-09
X.X	± 0.2	APPROVED BY	DATE
X.XX	± 0.1	THOMAS	08-21-09
ANGLES	± 0.5°	U/M	mm

		Connectivity Solutions
TITLE		
RCA FEMALE TO F MALE		
SHEET	DRAWING NO.	SIZE
1 OF 1	25-7580	C

THIS DRAWING WAS PRODUCED BY COMPUTER.  
DO NOT SCALE DRAWING OR UPDATE MANUALLY.