

AMPHENOL P/N:

AMPHENOL P/N	PCB THICKNESS DIM "T"	DIM 'A'	DIM 'B'
H11-RDA-10X-3	.062" [1.57]	.053" [1.35]	.053±.004" [1.35±0.10mm]
H11-RDA-10X-3-C	.062" [1.57]	.053" [1.35]	.053±.004" [1.35±0.10mm]
H11-RDA-10X-3-CT	.062" [1.57]	.053" [1.35]	.053±.004" [1.35±0.10mm]
H11-RDA-10X-4	.093" [2.36]	.081" [2.05]	.064±.010" [1.62±0.25mm]
H11-RDA-10X-4-C	.093" [2.36]	.081" [2.05]	.064±.010" [1.62±0.25mm]
H11-RDA-10X-4-CT	.093" [2.36]	.081" [2.05]	.064±.010" [1.62±0.25mm]

PART NUMBER SYSTEM:

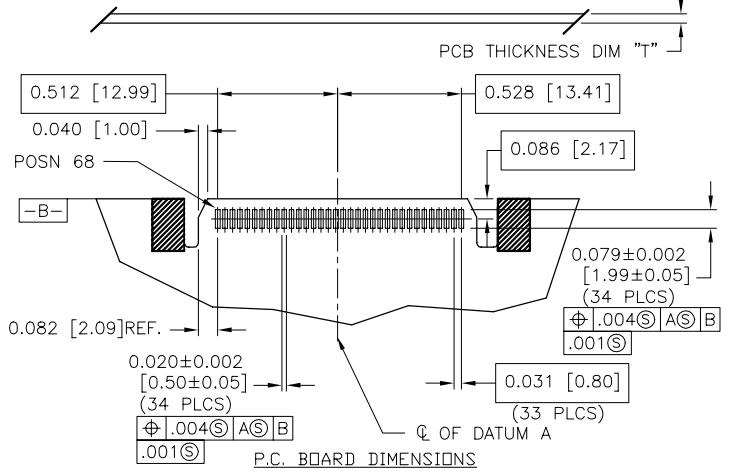
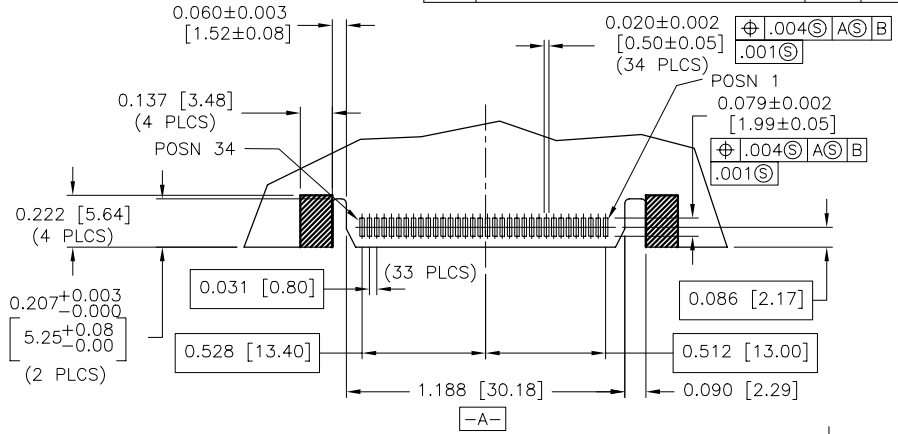
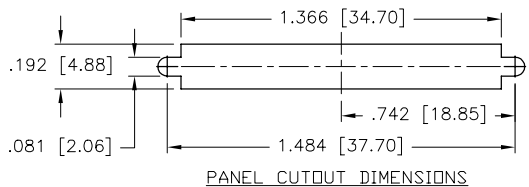
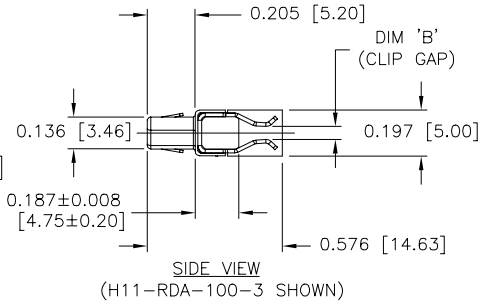
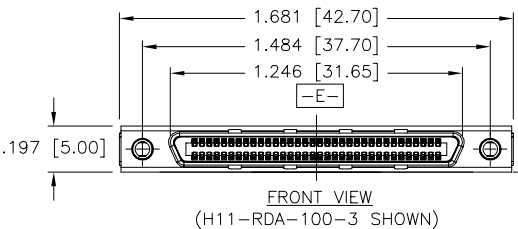
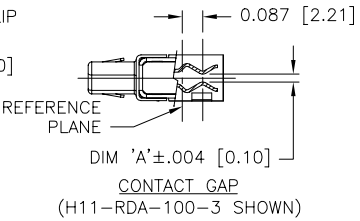
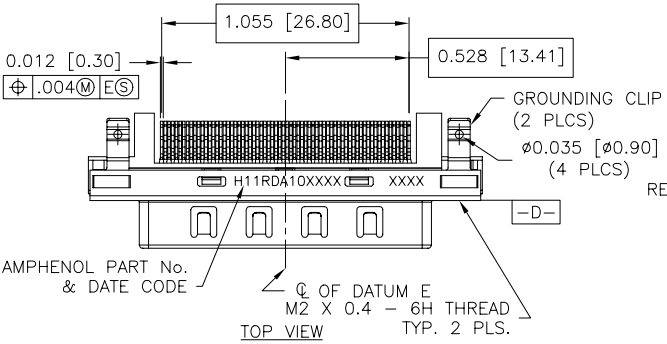
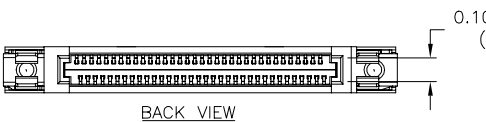
H 1 1 - R D A - 1 0 X - X - X X

OPTIONS:
 0= WITHOUT SCREWLOCKS
 1= WITH SCREWLOCKS

OPTIONS:
 3= FOR 0.062" THICK PCB
 4= FOR 0.093" THICK PCB

BLANK= WITHOUT PLUG & WITH TUBE PACKAGING;
 C = WITH PLUG & TUBE PACKAGING;
 CT= WITH PLUG & TAPE & REEL PACKAGING

REVISIONS			
REV.	DESCRIPTION	DATE	APPROVED
A	DWG No. CHANGED FROM H11-RDA-101-X	2003/01/15	J.S.
B	HOLES ADDED ON THE GROUND CLIPS	2003/02/27	AK
C	DIM .197 [5.00] ADDED ON ZONE B5	2003/03/21	AK
D	.197 CHG TO .187 ON ZONE B5, DIM 'C' ADDED	2003/07/04	AK
E	ADD PLUG, TAPE & REEL OPTION; ADD P/N SYSTEM; DWG No. CHANGED FROM H11-RDA-100-X	NOV20/03	AK
F	CHANGE CLIP GAP DIM. & TOLERANCE.	JAN6/04	AK
G	CHANGE DWG NO. & ADD MOUNTING OPTION		



NOTE:
 PLASTIC HOUSING: GLASS FILLED THERMOPLASTIC
 FLAMMABILITY RATING UL 94V-0.
 COLOUR: BLACK

CONTACTS: PHOSPHOR BRONZE
 30 μ" [0.76 MICRONS] GOLD OVER
 50 μ" [1.27 MICRONS] NICKEL.

SHELL: STEEL, NICKEL PLATED.

GROUNDING CLIP: COPPER ALLOY, 150μ" (3.75 MICRONS)
 TIN-LEAD OVER 50μ" (1.27 MICRONS) NICKEL

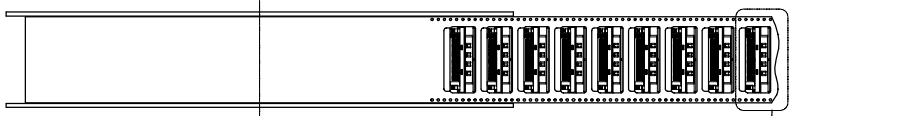
REFLOW: 6μ" (0.15 MICRONS) MIN. SOLDER PASTE ON
 P.C. BOARD REQUIRED FOR REFLOW PROCESS.

THIS DOCUMENT CONTAINS PROPRIETARY INFORMATION AND SUCH INFORMATION MAY NOT BE DISCLOSED TO OTHERS FOR ANY PURPOSE OR USED FOR MANUFACTURING PURPOSES WITHOUT PERMISSION FROM AMPHENOL CANADA CORP.

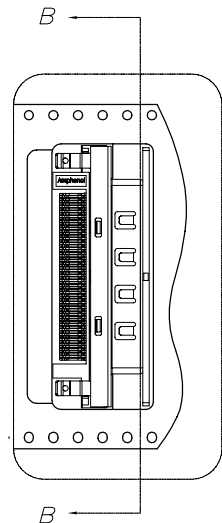
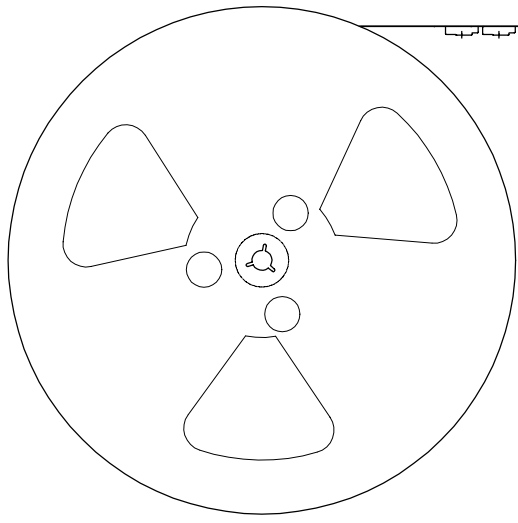
DO NOT SCALE DRAWING

UNLESS OTHERWISE SPECIFIED DIMENSIONS ARE IN INCHES		APPROVALS	DATE	Amphenol Canada Corp.	
DESIGNED	J.SI	2003/01/06	TITLE		
CHECKED			VHDCI STRADDLE MOUNT RECEPTACLE		
MATERIAL AND FINISH	SEE NOTES		SIZE B	DWG NO P-H11-RDA-10X-X-XX	REV. G
REF. EAR 11913			SCALE 2 = 1	PROJECT RDA	SHEET 1 OF 2
DATE/ISSUE NO. 03554					

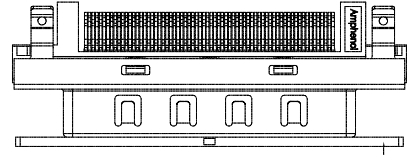
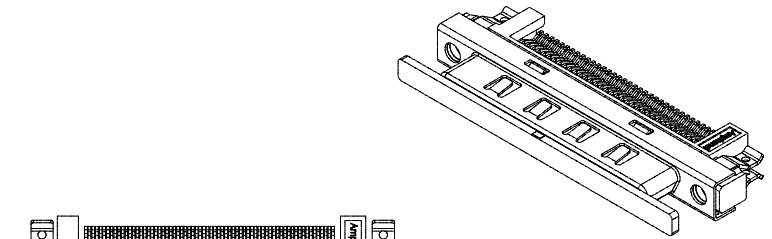
REVISIONS			
REV.	DESCRIPTION	DATE	APPROVED
A	DWG No. CHANGED FROM H11-RDA-101-X		
B	HOLES ADDED ON THE GROUND CLIPS	2003/01/15	J.S.
C	DIM .197 [5.00] ADDED ON ZONE B5	2003/02/27	AK.
D	.197 CHG TO .187 ON ZONE B5, DIM 'C' ADDED	2003/03/21	AK.
E	ADD PLUG, TAPE & REEL OPTION; ADD P/N SYSTEM; DWG No. CHANGED FROM H11-RDA-100-X	2003/07/04	AK.
F	CHANGE CLIP GAP DIM. & TOLERANCE.	NOV.20/03	AK.
G	CHANGE DWG NO. & ADD MOUNTING OPTION	JAN.6/04	AK.



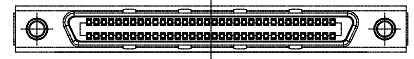
SEE DETAIL 'A'



SECTION 'B-B'



PLUG COVER TO BE REMOVED AFTER CONNECTOR SOLDERED INTO THE PCB



- PACKAGING NOTES:
- REEL DETAILS:
 - O.D.: 330.00 [12.992].
 - THICKNESS: 56.8 [2.236].
 - CONNECTORS PER REEL: 496.
 - TAPE & REEL PACKAGING IS IN COMPLIANCE WITH EIA 481.

DO NOT SCALE DRAWING
THIS DOCUMENT CONTAINS PROPRIETARY INFORMATION AND SUCH INFORMATION MAY NOT BE DISCLOSED TO OTHERS FOR ANY PURPOSE
OR USED FOR MANUFACTURING PURPOSES WITHOUT PERMISSION FROM AMPHENOL CANADA CORP.

UNLESS OTHERWISE SPECIFIED DIMENSIONS ARE IN INCHES	APPROVALS	DATE	Amphenol Canada Corp.	
	DRAWN J.S.I.	2003/01/06	TITLE	
MATERIAL AND FINISH SEE NOTES	DESIGNED		VHDCI STRADDLE MOUNT RECEPTACLE	
	CHECKED			
REF. EAR 11913	QA APPR		SIZE B	DWG. NO. P-H11-RDA-10X-X-XX
DATE IDENT. NO. 03554	SE APPR		SCALE N.T.S.	PROJECT RDA
	DWG APPR			SHEET 2 OF 2